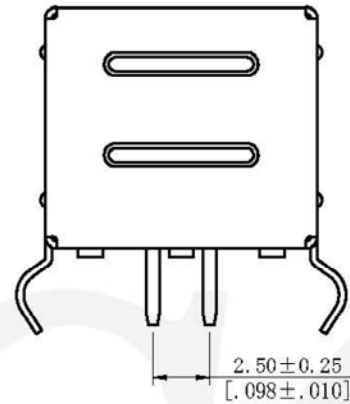
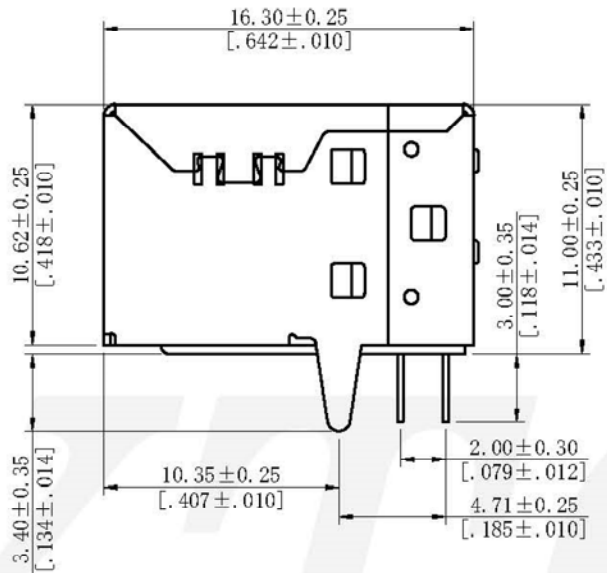
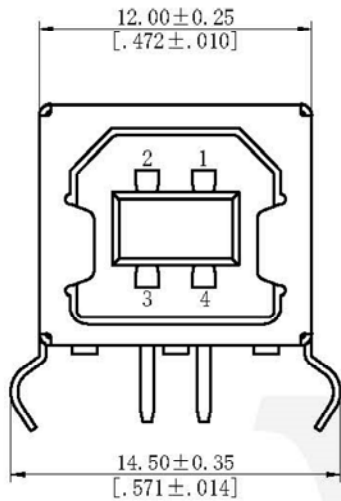


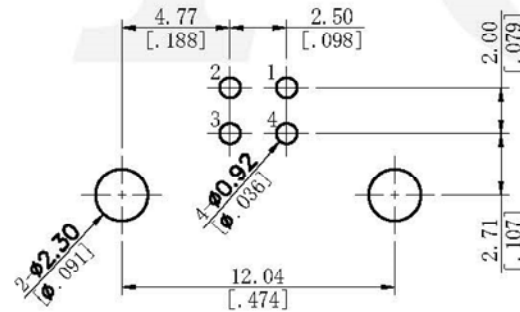
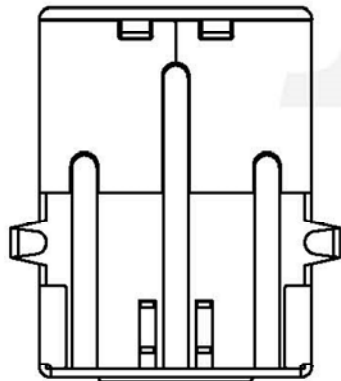
REV	REVISION	NAME	DATE



Electrical:
 Voltage Rating: 30V DC
 Current Rating: 1.5AMP
 Contact Resistance: 30mΩ Max
 Insulation Resistance: 1000MΩ Min
 Dielectric Withstanding Voltage: 500V AC

Mechanical:
 Housing Material: PBT (UL94V-0)
 Contact Material: Copper Alloy
 Contact Plating: Gold Or Tin Plating Over Nickel.
 Shell: SPCC Or Copper Alloy
 Shell Plating: Gold Or Nickel

Environmental:
 Operating Temp Range: -40°C ~ +60°C



Recommended P.C.B Layout (Top Side)
 (PCB BOARD TOLERANCE ± 0.05)

Ordering Code:
 6422-04FR XX X XX X A01

Contact Plating S0=ColdFlash/Tin S1=3u" Gold/Tin S2=5u" Gold/Tin S3=10u"Gold/Tin S4=15u"Gold/Tin S5=30u"Gold/Tin C0=Gold Flash	Shell Material A=Stainless steel B=Brass S=SPCC	Shell Plating NI=Nickel C0=Gold Flash C1=3u" Gold C2=5u" Gold C3=10u"Gold C4=15u"Gold C5=30u"Gold	Color Insulator B=Black W=White U=Blue R=Red Y=Yellow
--	---	---	---

THIS DRAWING IS A CONTROLLED DOCUMENT

TOLERANCES UNLESS OTHERWISE SPECIFIED	UNITS mm/inch	SCALE FIT	SIZE A4
DRAWN BY Xu	DATE 7/27/2022	TITLE	
ENGINEER Zhang	DATE 7/27/2022	USB TYPE B RIGHT ANGLE BOARD MOUNT FEMALE	
CHECKED BY Mike	DATE 7/27/2022	PART NO.	6422-04FRXXXXXXA01
APPROVED BY Andy	DATE 7/27/2022	DRAWING NO.	6422-04FR
PROJ. 594309442	PAGE CODE	FILE PATH	A/D/YTCOTZ/USB/USB-B

YTCO TECHNOLOGY
 HTTP://WWW.YTCO.CO E-MAIL:SALES@YTCO.CO