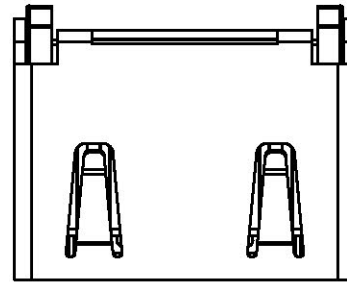
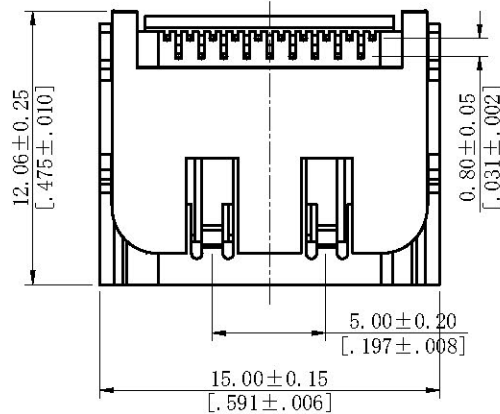
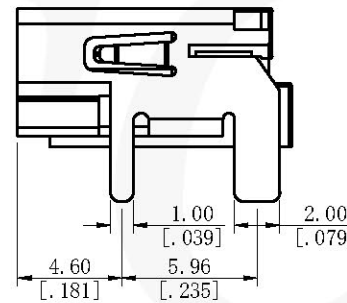
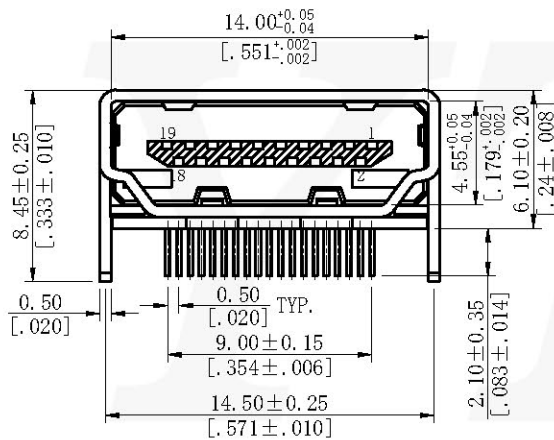


REV	REVISION	NAME	DATE

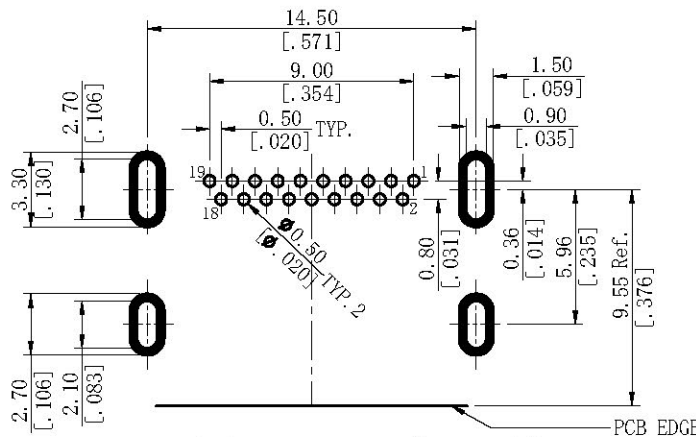


**Electrical:**  
 Voltage Rating: 40V AC Max  
 Current Rating: 0.50AMP  
 Contact Resistance: 30mΩ Max  
 Insulation Resistance:  
 100MΩ Min (Unmated)  
 10MΩ Min (Mated)  
 Dielectric Withstanding Voltage:  
 500V AC for 1 Minute (Unmated)  
 300V AC for 1 minute (Mated)  
**Mechanical:**  
 Housing Material: LCP (UL94V-0), Color: Black  
 Contact Material: Copper Alloy (C5191)  
 Contact Plating:  
 Au Plated on Contact Area, Tin Plated on Solder Area, Nickel Underplating Over All Shell: SPCC Or Copper Alloy  
 Shell Plating: Gold Or Nickel  
 Insertion Force: 44.1N Max  
 Withdrawal Force: 7~25N  
 Durability: 10000 Cycles  
 Environmental:  
 Operating Temp Range: -20°C ~ +85°C



**Ordering Code:**  
 6610-19FR XX X XX X01

Contact Plating S0=GoldFlash/Tin S1=3u" Gold/Tin S2=5u" Gold/Tin S3=10U"Gold/Tin S4=15U"Gold/Tin S5=30U"Gold/Tin C0=Gold Flash	Shell Material B=Brass S=SPCC	Shell Plating NI=Nickel C0=Gold Flash G1=3u" Gold C2=5u" Gold C3=10U"Gold C4=15U"Gold C5=30U"Gold	Packing A=Tray T=Tube R=Reel
---	-------------------------------------	--	---------------------------------------



Recommended P. C. B Layout (Top Side)  
 (PCB BOARD TOLERANCE ± 0.05)



ITEM	Part No.
Standard	6610-19FRS0BNAI01
Alternate	

THIS DRAWING IS A CONTROLLED DOCUMENT

TOLERANCES UNLESS OTHERWISE SPECIFIED	UNITS mm/inch	SCALE FIT	SIZE A4
0 PLC ± —			
1 PLC ± 0.30/.012			
2 PLC ± 0.25/.010			
3 PLC ± 0.20/.008			
4 PLC ± 0.10/.004			
ANGLES ± 3°			

**YTCO TECHNOLOGY**  
 HTTP://WWW.YTCO.CO E-MAIL:SALES@YTCO.CO

**HDMI TYPE A RIGHT ANGLE BOARD MOUNT FEMALE CONNECTOR**

6610-19FRXXXXXX01

6610-19FR

A/D/YTCOTZ/HDMI/AF

1 OF 1