

REV	REVISION	NAME	DATE

Electrical:

Voltage Rating:40V AC Max
 Current Rating:0.50AMP
 Contact Resistance:30mΩ Max
 Insulation Resistance:

100MΩ Min(Unmated)
 10MΩ Min(Mated)

Dielectric Withstanding Voltage:
 500V AC for 1 Minute (Unmated)
 300V AC for 1 minute(Mated)

Mechanical:

Housing Material:LCP (UL94V-0),Color:Black
 Contact Material:Copper Alloy (C5191)

Contact Plating:
 Au Plated on Contact Area,Tin Plated on
 Solder Area,Nickel Underplating Over All

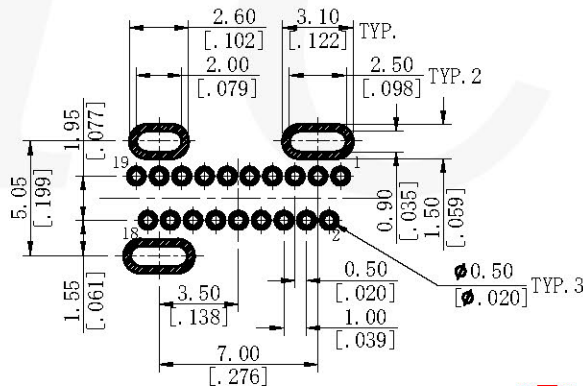
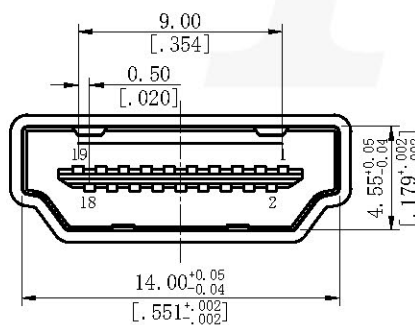
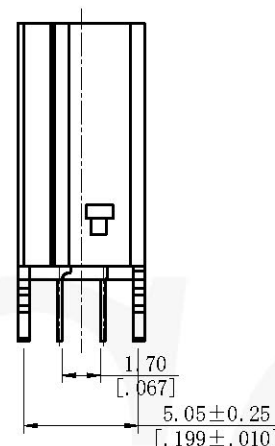
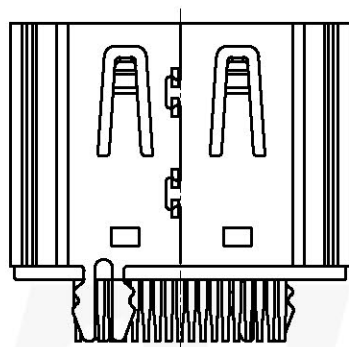
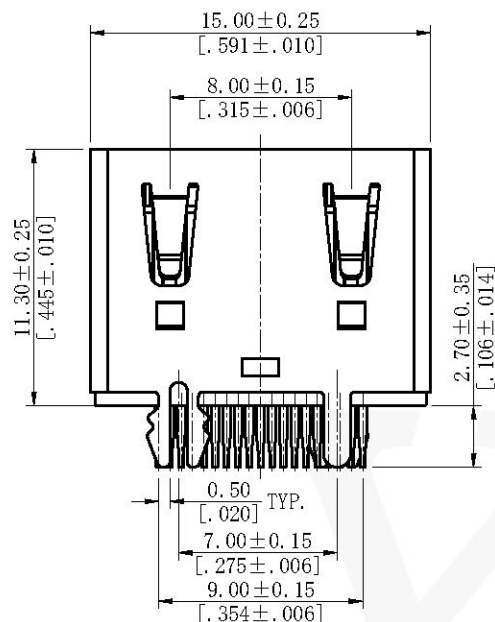
Shell:SPCC Or Copper Alloy
 Shell Plating:Gold Or Nickel
 Insertion Force:44.1N Max
 Withdrawal Force:7~25N

Durability:10000 Cycles
 Environmental:
 Operating Temp Range:-20℃~+85℃

Ordering Code:

6610-19FS XX X XX A 03

Contact Plating S0=GoldFlash/Tin S1=3u" Gold/Tin S2=5u" Gold/Tin S3=10u"Gold/Tin S4=15u"Gold/Tin S5=30u"Gold/Tin C0=Gold Flash	Shell Material B=Brass S=SPCC	Shell Plating NI=Nickel C0=Gold Flash G1=3u" Gold C2=5u" Gold C3=10u"Gold C4=15u"Gold C5=30u"Gold
---	-------------------------------------	--



Recommended P.C.B Layout (Top Side)
 (PCB BOARD TOLERANCE ±0.05)



ITEM	Part No.
Standard	6610-19FSS0BNAI03
Alternate	

THIS DRAWING IS A CONTROLLED DOCUMENT

TOLERANCES UNLESS OTHERWISE SPECIFIED	UNITS mm/inch	SCALE FIT	SIZE A4
0 PLC ± —			
1 PLC ± 0.30/.012			
2 PLC ± 0.25/.010			
3 PLC ± 0.20/.008			
4 PLC ± 0.10/.004			
ANGLES ± 3°			

YTCO TECHNOLOGY
 HTTP://WWW.YTCO.CO E-MAIL:SALES@YTCO.CO

TITLE	HDMI TYPE A STRAIGHT BOARD MOUNT FEMALE CONNECTOR
PART NO.	6610-19FSXXXXXA03
DRAWING NO.	6610-19FS
FILE PATH	A/D/YTCOTZ/HDMI/AF
SHEET	1 OF 1
REV	A