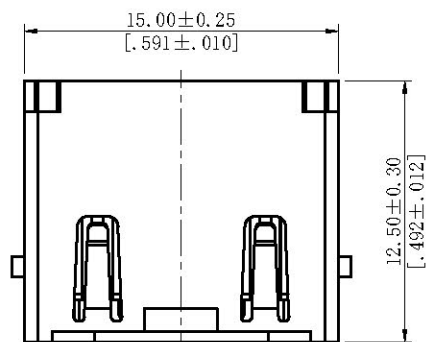
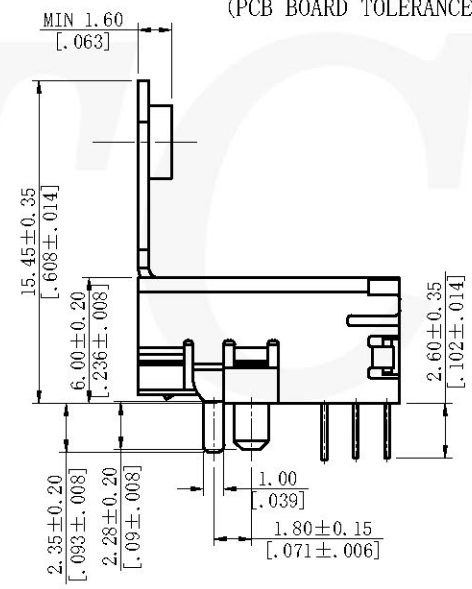
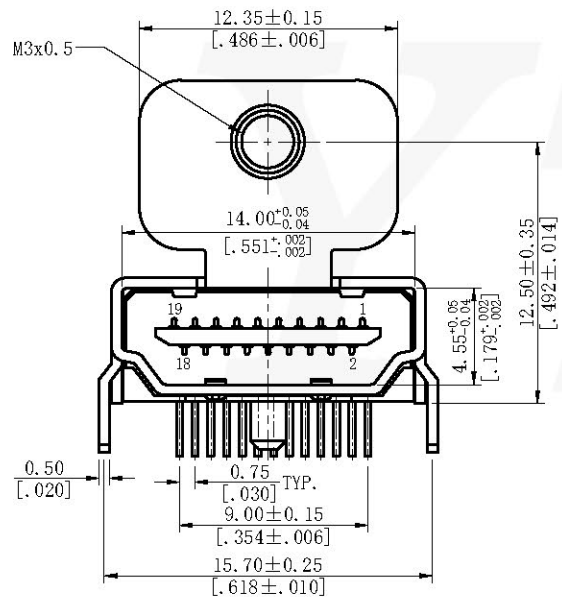


Recommended P.C.B Layout (Top Side)
(PCB BOARD TOLERANCE ±0.05)

Electrical:
 Voltage Rating: 40V AC Max
 Current Rating: 0.50AMP
 Contact Resistance: 30mΩ Max
 Insulation Resistance:
 100MΩ Min (Unmated)
 10MΩ Min (Mated)
 Dielectric Withstanding Voltage:
 500V AC for 1 Minute (Unmated)
 300V AC for 1 minute (Mated)
Mechanical:
 Housing Material: LCP (UL94V-0), Color: Black
 Contact Material: Copper Alloy (C5191)
 Contact Plating:
 Au Plated on Contact Area, Tin Plated on Solder Area, Nickel Underplating Over All Shell: SPCC Or Copper Alloy
 Shell Plating: Gold Or Nickel
 Insertion Force: 44.1N Max
 Withdrawal Force: 7~25N
 Durability: 10000 Cycles
 Environmental:
 Operating Temp Range: -20°C ~ +85°C

Ordering Code:
 6611-19FR XX X XX X10

Contact Plating S0=GoldFlash/Tin S1=3u" Gold/Tin S2=5u" Gold/Tin S3=10U"Gold/Tin S4=15U"Gold/Tin S5=30U"Gold/Tin C0=Gold Flash	Shell Material B=Brass S=SPCC	Shell Plating NI=Nickel C0=Gold Flash G1=3u" Gold C2=5u" Gold C3=10U"Gold C4=15U"Gold C5=30U"Gold	Packing A=Tray T=Tube R=Reel
---	-------------------------------------	--	---------------------------------------



ITEM	Part No.
Standard	6611-19FRS0BNIAX10
Alternate	

THIS DRAWING IS A CONTROLLED DOCUMENT				YTCO TECHNOLOGY HTTP://WWW.YTCO.CO E-MAIL:SALES@YTCO.CO	
TOLERANCES UNLESS OTHERWISE SPECIFIED	UNITS mm/inch	SCALE FIT	SIZE A4	TITLE HDMI TYPE A RIGHT ANGLE BOARD MOUNT FEMALE CONNECTOR (WITH FLANGE)	
0 PLC ± —	DRWN BY Xu	DATE 7/29/2022	DATE 7/29/2022	PART NO. 6611-19FRXXXXXX10	
1 PLC ± 0.30/.012	ENGINEER Zhang	DATE 7/29/2022	DATE 7/29/2022	DRAWING NO. 6611-19FR	
2 PLC ± 0.25/.010	CHECKED BY Mike	DATE 7/29/2022	DATE 7/29/2022	PROJ. FILE PATH A/D/YTCOTZ/HDMI/AF	
3 PLC ± 0.20/.008	APPROVED BY Andy	DATE 7/29/2022	DATE 7/29/2022	SHEET 1 OF 1	REV A
4 PLC ± 0.10/.004	FACE CODE 594309442				
ANGLES ± 3°					