

REV	REVISION	NAME	DATE

Electrical:

Voltage Rating:40V AC Max
 Current Rating:0.50AMP
 Contact Resistance:30mΩ Max
 Insulation Resistance:
 100MΩ Min(Unmated)
 10MΩ Min(Mated)
 Dielectric Withstanding Voltage:
 500V AC for 1 Minute (Unmated)
 300V AC for 1 minute(Mated)

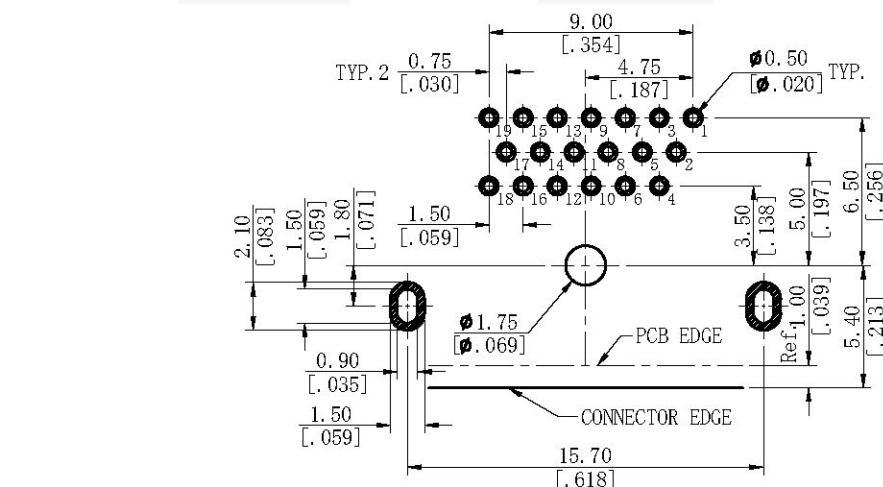
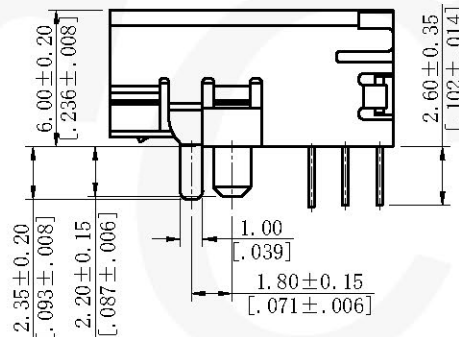
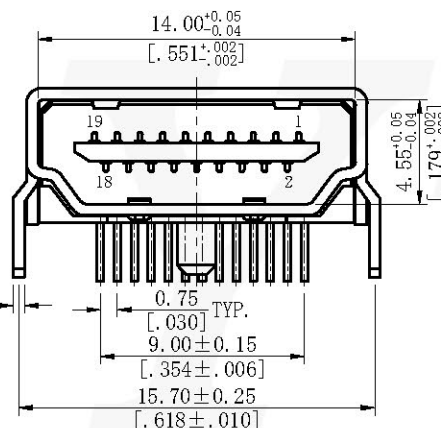
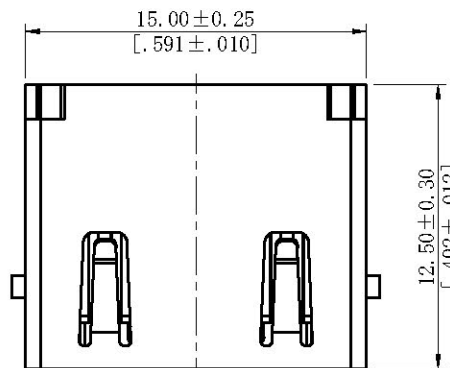
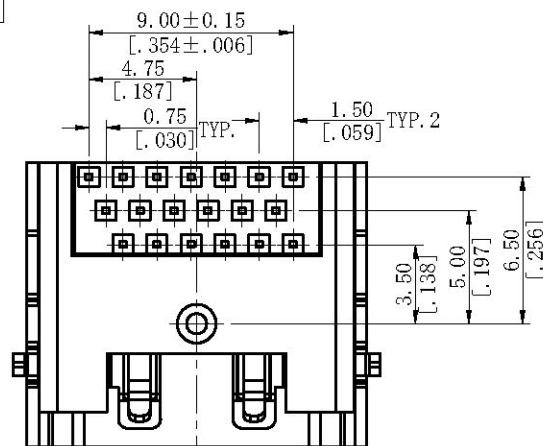
Mechanical:

Housing Material:LCP (UL94V-0),Color:Black
 Contact Material:Copper Alloy (C5191)
 Contact Plating:
 Au Plated on Contact Area,Tin Plated on Solder Area,Nickel Underplating Over All Shell:SPCC Or Copper Alloy
 Shell Plating:Gold Or Nickel
 Insertion Force:44. IN Max
 Withdrawal Force:7-25N
 Durability:10000 Cycles
 Environmental:
 Operating Temp Range:-20℃~+85℃

Ordering Code:

6611-19FR XX X XX X01

Contact Plating S0=GoldFlash/Tin S1=3u" Gold/Tin S2=5u" Gold/Tin S3=10U"Gold/Tin S4=15U"Gold/Tin S5=30U"Gold/Tin C0=Gold Flash	Shell Material B=Brass S=SPCC	Shell Plating NI=Nickel C0=Gold Flash G1=3u" Gold C2=5u" Gold C3=10U"Gold C4=15U"Gold C5=30U"Gold	Packing A=Tray T=Tube R=Reel
-----------------------------------------------------------------------------------------------------------------------------------------------------	-------------------------------------	------------------------------------------------------------------------------------------------------------------------	---------------------------------------



Recommended P.C.B Layout (Top Side)
 (PCB BOARD TOLERANCE ± 0.05)



ITEM	Part No.
Standard	6611-19FRS0BNAI01
Alternate	

THIS DRAWING IS A CONTROLLED DOCUMENT

TOLERANCES UNLESS OTHERWISE SPECIFIED	UNITS mm/inch	SCALE FIT	SIZE A4
0 PLC ± —			
1 PLC ± 0.30/.012			
2 PLC ± 0.25/.010			
3 PLC ± 0.20/.008			
4 PLC ± 0.10/.004			
ANGLES ± 3°			

YTCO TECHNOLOGY
 HTTP://WWW.YTCO.CO E-MAIL:SALES@YTCO.CO

HDMI TYPE A RIGHT ANGLE BOARD MOUNT FEMALE CONNECTOR

PART NO.	6611-19FRXXXXX01
DRAWING NO.	6611-19FR

FILE PATH	A/D/YTCOTZ/HDMI/AF
SHEET	1 OF 1
REV	A