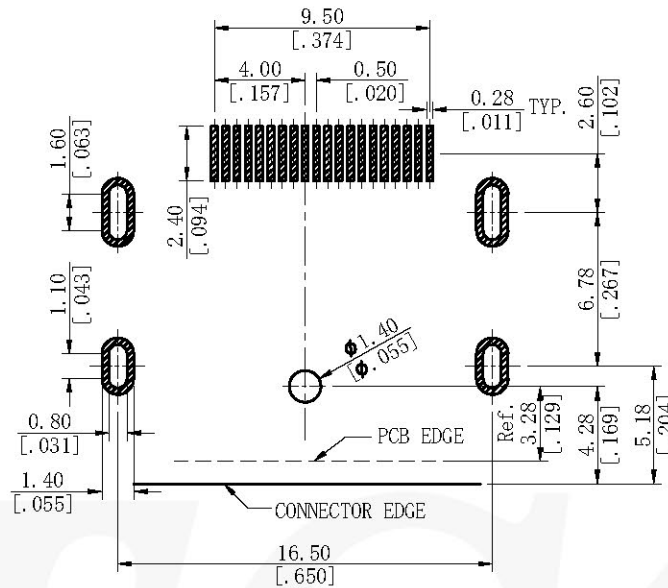
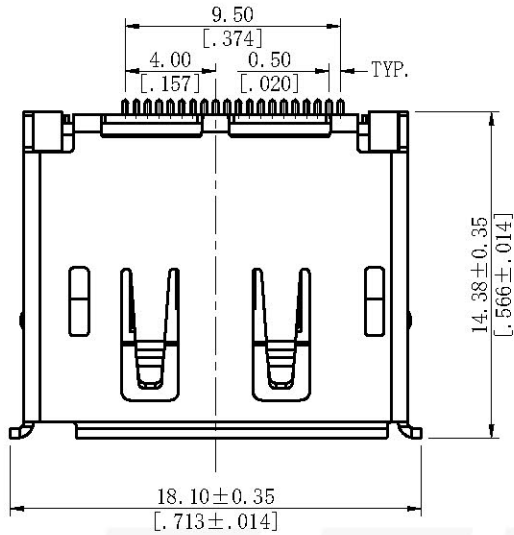
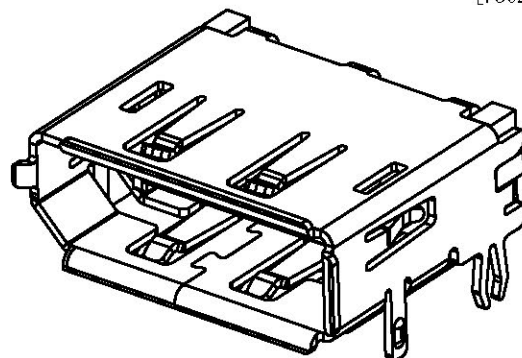
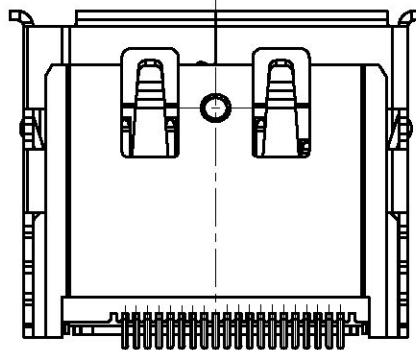
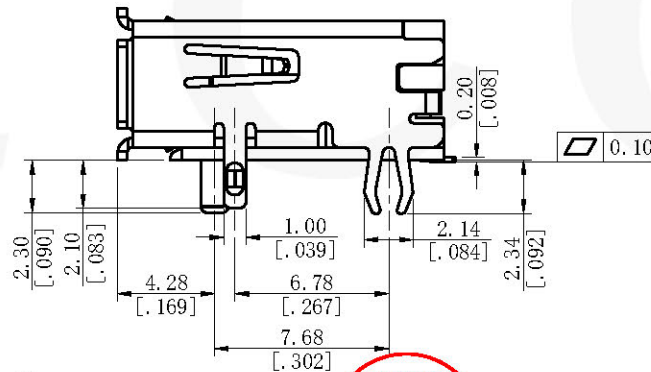
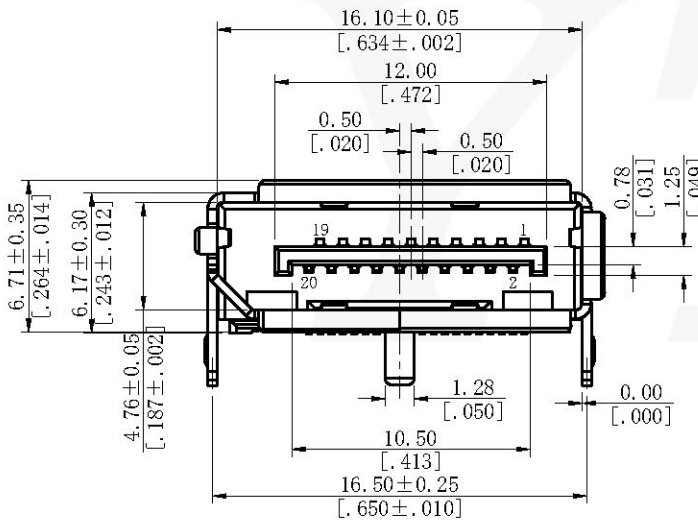


REV	REVISION	NAME	DATE



Recommended P.C.B Layout (Top Side)  
(PCB BOARD TOLERANCE ±0.05)



**Electrical:**  
 Voltage Rating: 40V AC Max  
 Current Rating: 0.50AMP  
 Contact Resistance: 30mΩ Max  
 Insulation Resistance:  
 100MΩ Min (Unmated)  
 10MΩ Min (Mated)  
 Dielectric Withstanding Voltage:  
 500V AC for 1 Minute (Unmated)  
 300V AC for 1 minute (Mated)  
**Mechanical:**  
 Housing Material: LCP (UL94V-0), Color: Black  
 Contact Material: Copper Alloy  
 Contact Plating:  
 Au Plated on Contact Area, Tin Plated on Solder Area, Nickel Underplating Over All  
 Shell: SPCC Or Copper Alloy  
 Shell Plating: Gold Or Nickel  
 Insertion Force: 44. IN Max  
 Withdrawal Force: 7~25N  
 Durability: 10000 Cycles  
 Environmental:  
 Operating Temp Range: -20°C ~ +85°C

Ordering Code:

6690-20FH XX X XX X01

Contact Plating S0=GoldFlash/Tin S1=3u" Gold/Tin S2=5u" Gold/Tin S3=10U"Gold/Tin S4=15U"Gold/Tin S5=30U"Gold/Tin C0=Gold Flash	Shell Material B=Brass S=SPCC	Shell Plating NI=Nickel C0=Gold Flash G1=3u" Gold C2=5u" Gold C3=10U"Gold C4=15U"Gold C5=30U"Gold	Packing A=Tray T=Tube R=Reel M=Reel+Mylar
---	-------------------------------------	--	---

ITEM	Part No.
Standard	6690-20FHSSOBNIM01
Alternate	

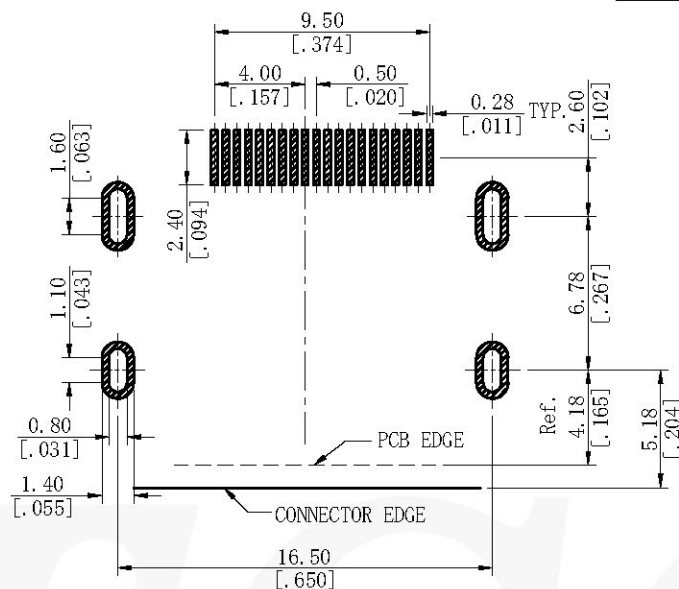
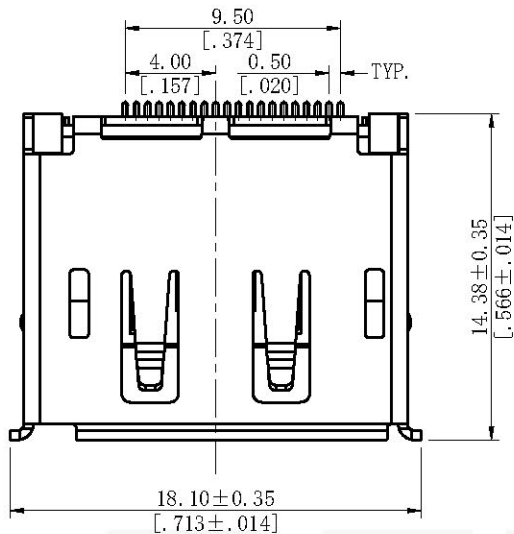
**YTCO**  
2022.07.29  
**ISSUED**

THIS DRAWING IS A CONTROLLED DOCUMENT

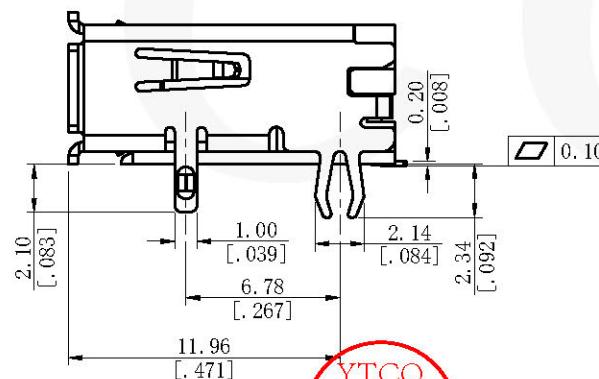
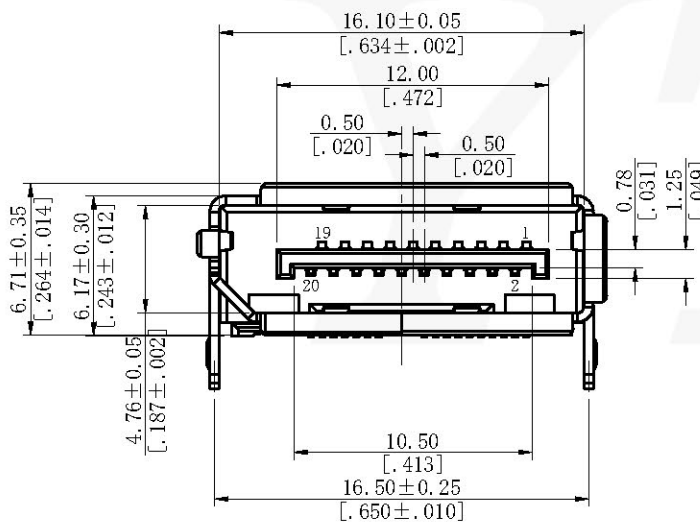
TOLERANCES UNLESS OTHERWISE SPECIFIED	UNITS mm/inch	SCALE FIT	SIZE A4
0 PLC ± —			
1 PLC ± 0.30/.012			
2 PLC ± 0.25/.010			
3 PLC ± 0.20/.008			
4 PLC ± 0.10/.004			
ANGLES ± 3°			

	<b>YTCO TECHNOLOGY</b> HTTP://WWW.YTCO.CO E-MAIL:SALES@YTCO.CO
TITLE	DISPLAY PORT SMT RIGHT ANGLE BOARD MOUNT FEMALE CONNECTOR
PART NO.	6690-20FHXXXXXX01
DRAWING NO.	6690-20FH
FILE PATH	A/D/YTCOTZ/DISPLAY PORT/F
SHEET	1 OF 1
REV	A

REV	REVISION	NAME	DATE



Recommended P.C.B Layout (Top Side)  
(PCB BOARD TOLERANCE ± 0.05)

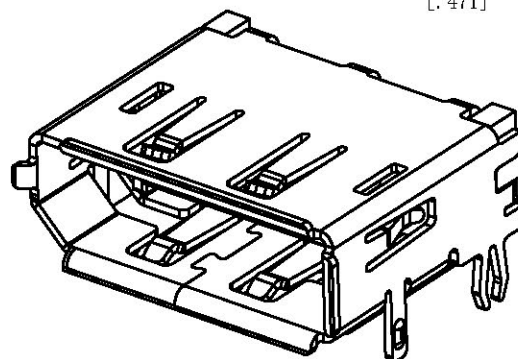
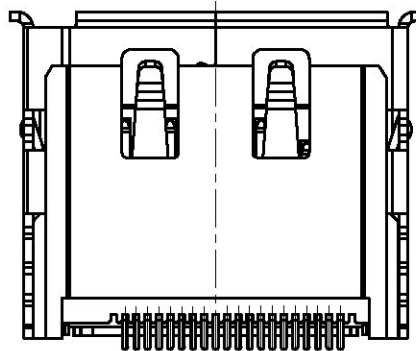


**Electrical:**  
 Voltage Rating: 40V AC Max  
 Current Rating: 0.50AMP  
 Contact Resistance: 30mΩ Max  
 Insulation Resistance:  
 100MΩ Min (Unmated)  
 10MΩ Min (Mated)  
 Dielectric Withstanding Voltage:  
 500V AC for 1 Minute (Unmated)  
 300V AC for 1 minute (Mated)  
**Mechanical:**  
 Housing Material: LCP (UL94V-0), Color: Black  
 Contact Material: Copper Alloy  
 Contact Plating:  
 Au Plated on Contact Area, Tin Plated on Solder Area, Nickel Underplating Over All  
 Shell: SPCC Or Copper Alloy  
 Shell Plating: Gold Or Nickel  
 Insertion Force: 44. IN Max  
 Withdrawal Force: 7-25N  
 Durability: 10000 Cycles  
**Environmental:**  
 Operating Temp Range: -20°C ~ +85°C

Ordering Code:

6690-20FH XX X XX X02

Contact Plating S0=GoldFlash/Tin S1=3u" Gold/Tin S2=5u" Gold/Tin S3=10u" Gold/Tin S4=15u" Gold/Tin S5=30u" Gold/Tin C0=Gold Flash	Shell Material B=Brass S=SPCC	Shell Plating NI=Nickel C0=Gold Flash G1=3u" Gold C2=5u" Gold C3=10u" Gold C4=15u" Gold C5=30u" Gold	Packing A=Tray T=Tube R=Reel M=Reel+Mylar
--	-------------------------------------	---	---



YTCO  
2022.07.29  
ISSUED

ITEM	Part No.
Standard	6690-20FHNSOBNIM02
Alternate	

THIS DRAWING IS A CONTROLLED DOCUMENT

TOLERANCES UNLESS OTHERWISE SPECIFIED	UNITS mm/inch	SCALE FIT	SIZE A4
0 PLC ± —			
1 PLC ± 0.30/.012			
2 PLC ± 0.25/.010			
3 PLC ± 0.20/.008			
4 PLC ± 0.10/.004			
ANGLES ± 3°			

**YTCO TECHNOLOGY**  
 HTTP://WWW.YTCO.CO E-MAIL:SALES@YTCO.CO

TITLE	DISPLAY PORT SMT RIGHT ANGLE BOARD MOUNT FEMALE CONNECTOR
PART NO.	6690-20FHXXXXXX02
DRAWING NO.	6690-20FH
FILE PATH	A/D/YTCOTZ/DISPLAY PORT/F
SHEET	1 OF 1
REV	A