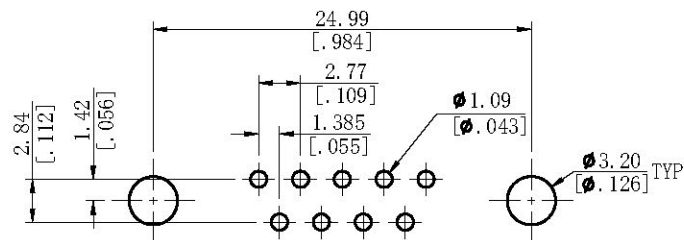
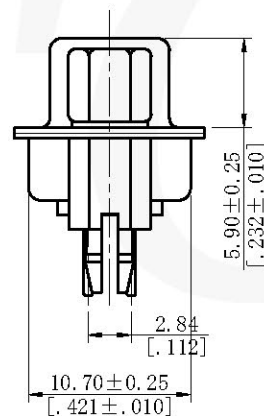
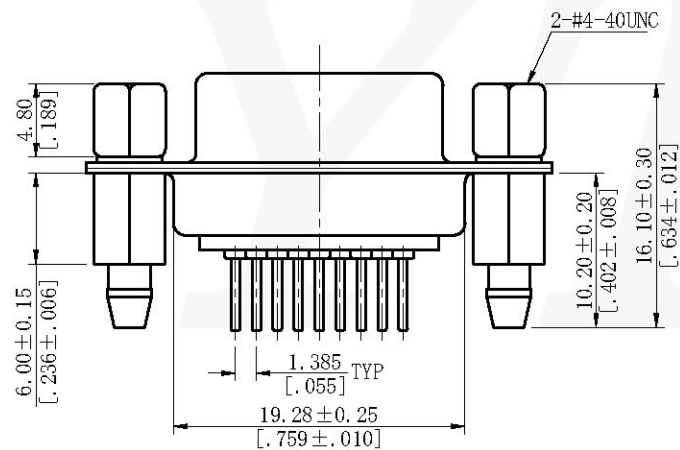
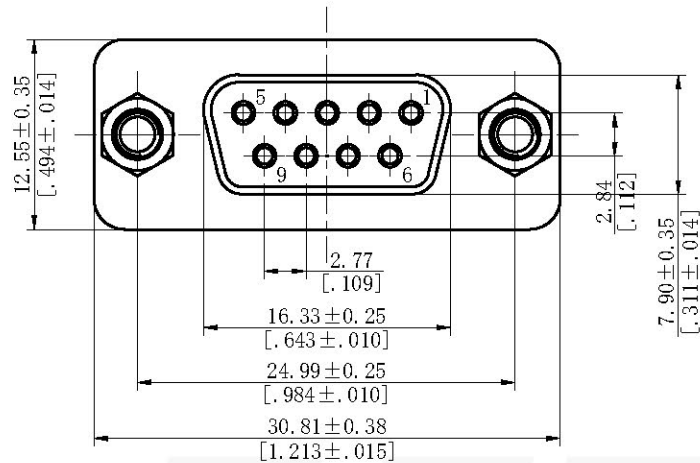


REV	REVISION	NAME	DATE



Recommended P.C.B Layout (Top Side)
(PCB BOARD TOLERANCE ± 0.05)

Electrical:
 Current Rating: 3.00AMP
 Contact Resistance: 20mΩ Max
 Insulation Resistance: 1000MΩ Min
 Dielectric Withstanding Voltage: 500V AC for 1 Minute
 Mechanical:
 Insulator: PBT+30% Glass Filled Polyester UL94V-0
 Contact: Copper Alloy
 Contact Plating: Au or Sn over Ni
 Shell: Steel, Nickel Plated
 Fork: Copper Alloy, Tin over Ni Plated
 Screw: Steel Or Copper Alloy, Nickel Plated
 Environmental:
 Operating Temp Range: -55°C ~ +105°C

Ordering Code:
 6021-09F 8 XX X A 01

Contact Plating	Color
C0=Cold Flash	Insulator
S0=ColdFlash/Tin	B=Black
S1=3u" Gold/Tin	W=White
S2=5u" Gold/Tin	U=Blue
S3=10u" Gold/Tin	
S4=15u" Gold/Tin	
S5=30u" Gold/Tin	



THIS DRAWING IS A CONTROLLED DOCUMENT

TOLERANCES UNLESS OTHERWISE SPECIFIED	UNITS mm/inch	SCALE FIT	SIZE A4
DRAWN BY <i>Xu</i>	DATE 7/29/2022	TITLE D-SUB FEMALE STRAIGHT DIP BOARD MOUNT	
ENGINEER <i>Zhang</i>	DATE 7/29/2022	PART NO. 6021-09F8XXXA01	
CHECKED BY <i>Mike</i>	DATE 7/29/2022	DRAWING NO. 6021	
APPROVED BY <i>Andy</i>	DATE 7/29/2022	FILE PATH A/D/YTCOTZ/D-SUB/DP	SHEET 1 OF 1
PROJ. 594309442	FACE CODE	REV A	



YTCO TECHNOLOGY
 HTTP://WWW.YTCO.CO E-MAIL:SALES@YTCO.CO

D-SUB FEMALE STRAIGHT DIP BOARD MOUNT

PART NO. 6021-09F8XXXA01

DRAWING NO. 6021

FILE PATH A/D/YTCOTZ/D-SUB/DP

SHEET 1 OF 1 REV A