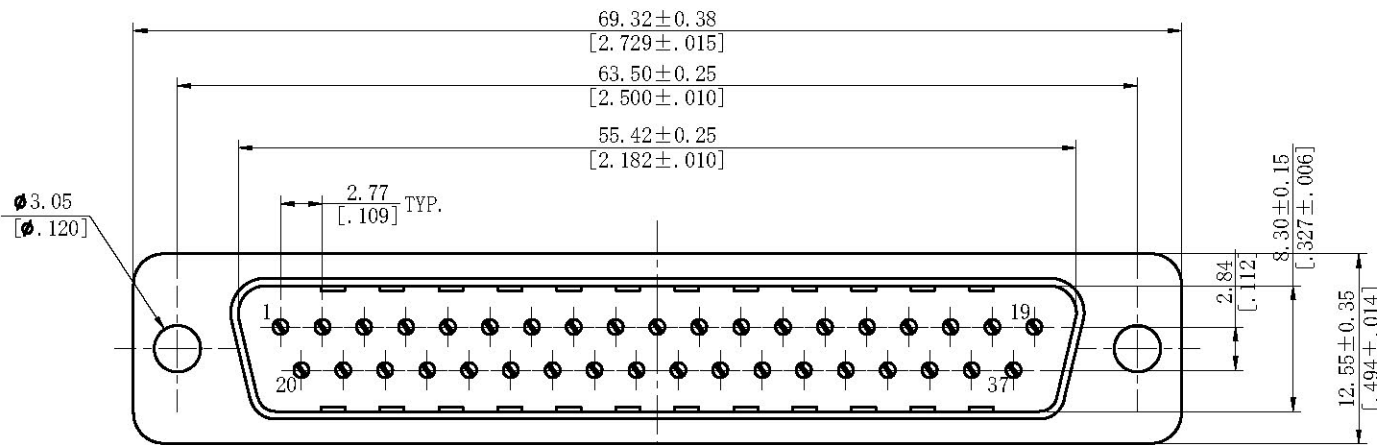
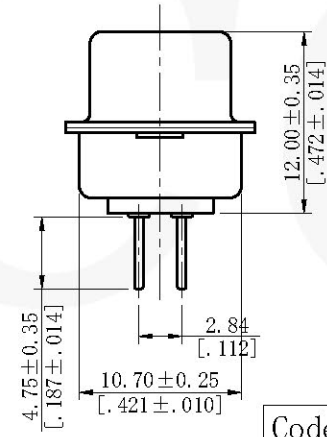
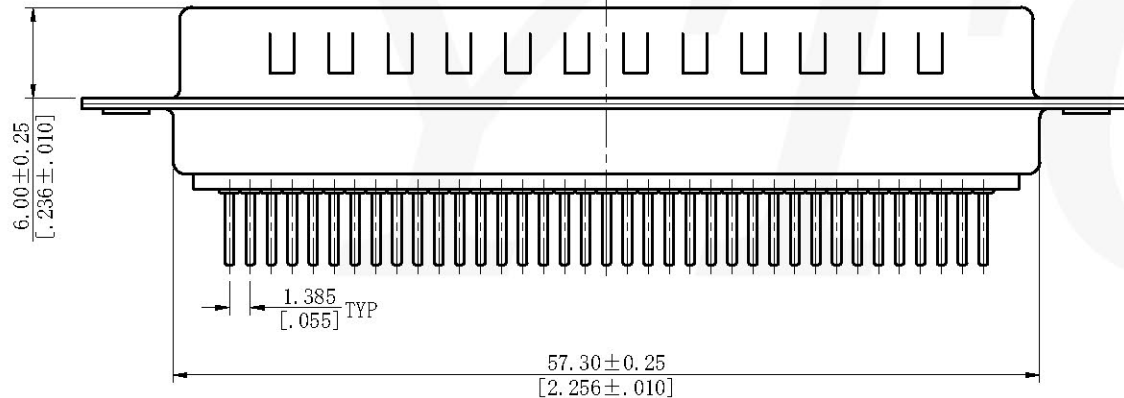


REV	REVISION	NAME	DATE



**Electrical:**  
 Current Rating:3.00AMP  
 Contact Resistance:20mΩ Max  
 Insulation Resistance:1000MΩ Min  
 Dielectric Withstanding Voltage:500V AC for 1 Minute  
**Mechanical:**  
 Insulator:PBT+30% Glass Filled Polyester UL94V-0  
 Contact:Copper Alloy  
 Contact Plating:Au or Sn over Ni  
 Shell:Steel, Nickel Plated  
 Fork:Copper Alloy, Tin over Ni Plated  
 Screw:Steel Or Copper Alloy, Nickel Plated  
 Nut:Steel Or Copper Alloy, Nickel Plated  
**Environmental:**  
 Operating Temp Range:-55°C~+105°C

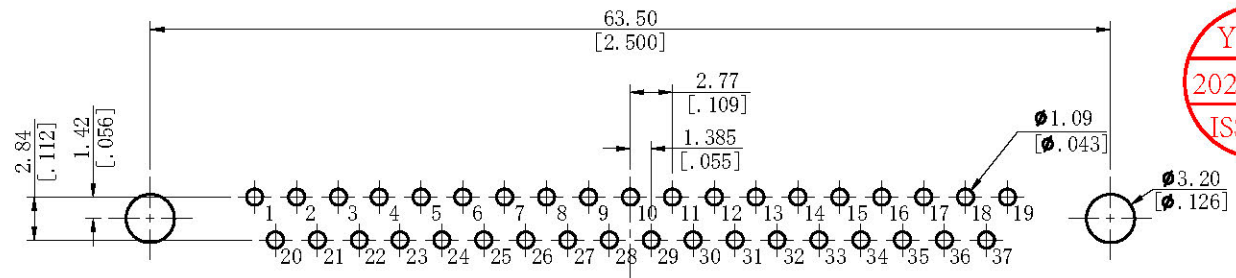


Ordering Code:  
 6021-37M X XX X A 01

<b>Mounting Style</b> 0=Without Fork Without Nut 5=With Front Nut 6=With Back Nut 7=With Back Fork 8=With Back Fork With Screw	<b>Contact Plating</b> C0=Cold Flash S0=ColdFlash/Tin S1=3u" Gold/Tin S2=5u" Gold/Tin S3=10u"Gold/Tin S4=15u"Gold/Tin S5=30u"Gold/Tin	<b>Color Insulator</b> B=Black W=White U=Blue
---	--	--

NAME	DIM "L"				
NUT	3.00 (.118)	4.00 (.157)	4.80 (.189)	6.00 (.236)	6.50 (.256)

Code	0	5	6	7	8
Mounting Style					



Recommended P. C. B Layout (Top Side)  
 (PCB BOARD TOLERANCE±0.05)



THIS DRAWING IS A CONTROLLED DOCUMENT

TOLERANCES UNLESS OTHERWISE SPECIFIED	UNITS mm/inch	SCALE FIT	SIZE A4
0 PLC ± —	DRAWN BY Xu	DATE 7/29/2022	TITLE
1 PLC ± 0.30/.012	ENGINEER Zhang	DATE 7/29/2022	D-SUB MALE STRAIGHT DIP BOARD MOUNT
2 PLC ± 0.25/.010	CHECKED BY Mike	DATE 7/29/2022	PART NO. 6021-37MXXXXA01
3 PLC ± 0.20/.008	APPROVED BY Andy	DATE 7/29/2022	DRAWING NO. 6021
4 PLC ± 0.10/.004	PROJ. FILE PATH	FACE CODE 594309442	A/D/YTCOTZ/D-SUB/DP
ANGLES ± 3°			SHEET 1 OF 1

**YTCO TECHNOLOGY**  
 HTTP://WWW.YTCO.CO E-MAIL:SALES@YTCO.CO