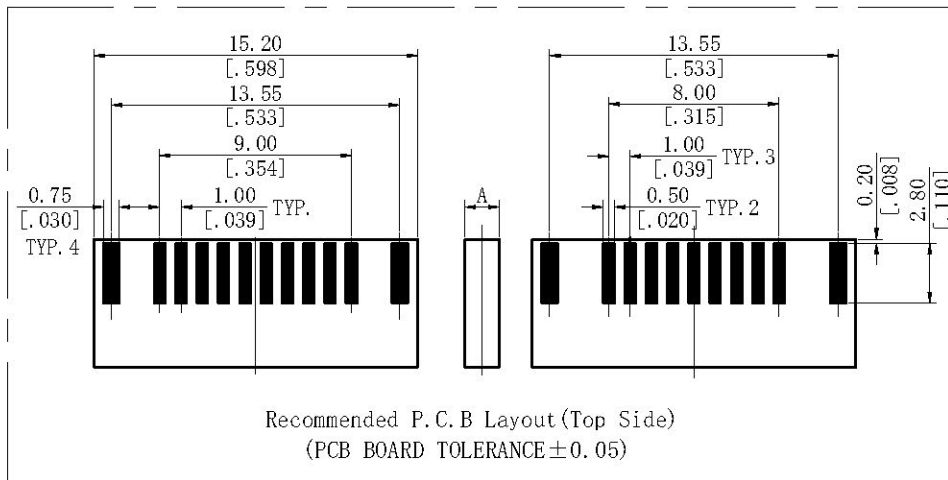
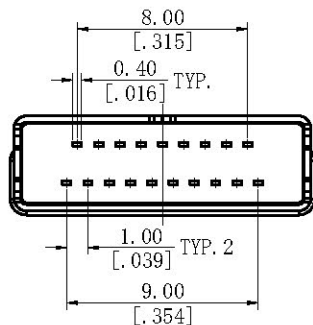


REV	REVISION	NAME	DATE

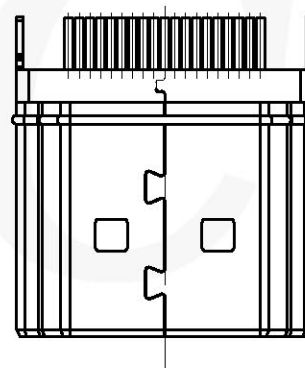
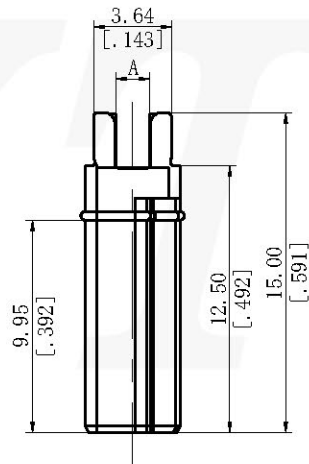
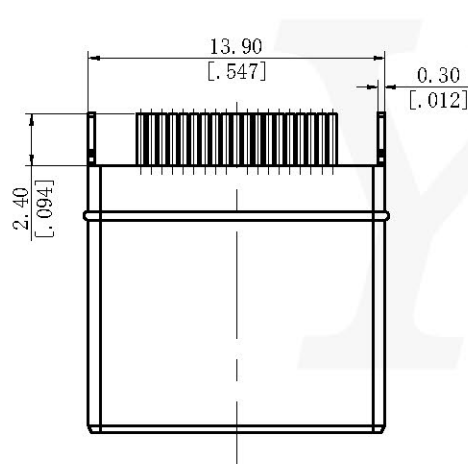


Electrical:

Voltage Rating: 40 VAC RMS.
Current Rating: 0.5 AMP.
Contact Resistance: 30mΩ Max.
Insulation Resistance: 100 MegaHMS MIN@500 VDC.
Dielectric Strength: 500VAC RMS 50Hz. 1Min.

Mechanical:

Housing Material: Glass Filled Polyester UL94V-0.
Standard: LCP, Black Color.
Contact Material: Phosphor Bronze.
Contact Plating: Gold Plating Over Nickel On Contact Area;
Tin Plating On Solder Tail.
Shield: Copper Alloy or SPCC.
Insertion Force: 4.5KGF Max.
Extraction Force: 1.0KGF MIN; 4.0KGF MAX.
Environmental:
Storage Temp Range: -20°C ~ +85°C
Operating Temp Range: -20°C ~ +85°C
Max. Processing Temp: +260°C for 10 Seconds

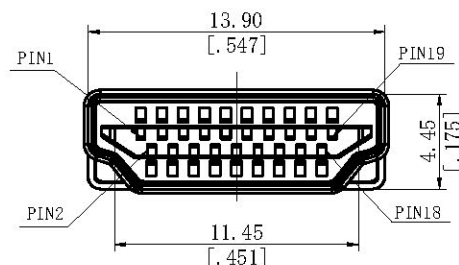


Ordering Code:

661X-19MA XX X XX A 01

See Table

Contact Plating S0=GoldFlash/Tin S1=3u" Gold/Tin S2=5u" Gold/Tin S3=10U"Gold/Tin S4=15U"Gold/Tin S5=30U"Gold/Tin C0=Gold Flash	Shell Material B=Brass S=SPCC	Shell Plating NI=Nickel C0=Gold Flash C1=3u" Gold C2=5u" Gold C3=10U"Gold C4=15U"Gold C5=30U"Gold
---	-------------------------------------	--



6613-19MAXXXXXA01	1.60 (.063)
6612-19MAXXXXXA01	1.20 (.047)
6611-19MAXXXXXA01	1.00 (.039)
Part No.	A
	Dimension

THIS DRAWING IS A CONTROLLED DOCUMENT

TOLERANCES UNLESS OTHERWISE SPECIFIED	UNITS mm/inch	SCALE FIT	SIZE A4
DRAWN BY Xu	DATE 7/29/2022	TITLE	HDMI TYPE A STRADDLE MALE CONNECTOR
ENGINEER Zhang	DATE 7/29/2022	PART NO.	661X-19MAXXXXXA01
CHECKED BY Mike	DATE 7/29/2022	DRAWING NO.	661X-19MA
APPROVED BY Andy	DATE 7/29/2022	FILE PATH	A/D/YTCOTZ/HDMI/AM
PROJ. 594309442	SHEET 1 OF 1	REV A	

YTCO TECHNOLOGY
HTTP://WWW.YTCO.CO E-MAIL:SALES@YTCO.CO

HDMI TYPE A STRADDLE MALE CONNECTOR

661X-19MAXXXXXA01

661X-19MA

A/D/YTCOTZ/HDMI/AM

1 OF 1 A