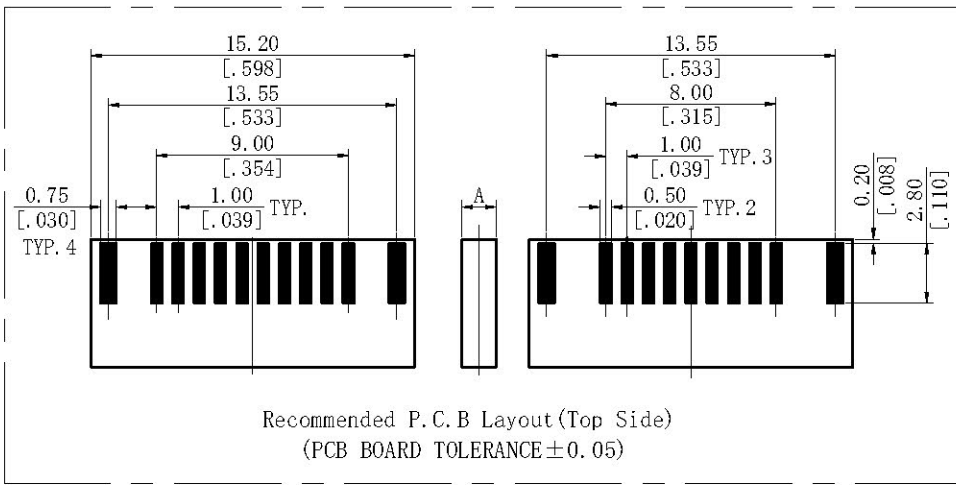
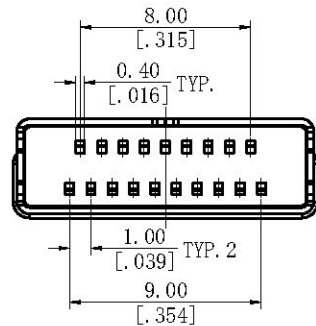


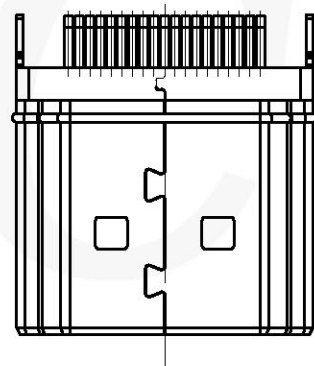
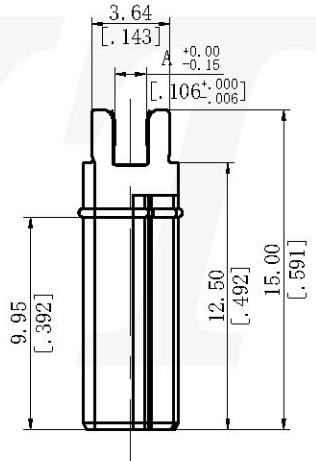
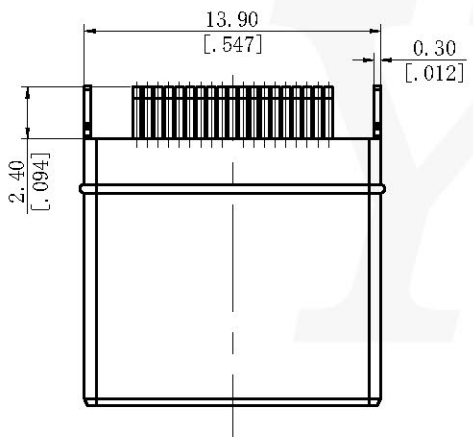
REV	REVISION	NAME	DATE



Electrical:
 Voltage Rating: 40 VAC RMS.
 Current Rating: 0.5 AMP.
 Contact Resistance: 30mΩ Max.
 Insulation Resistance: 100 MegaHMS MIN@500 VDC.
 Dielectric Strength: 500VAC RMS 50Hz. 1Min.

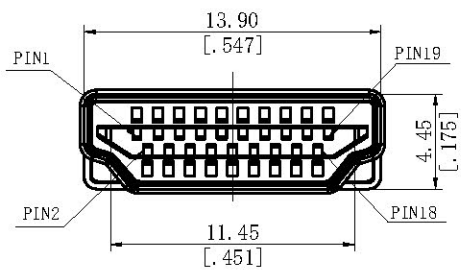
Mechanical:
 Housing Material: Glass Filled Polyester UL94V-0.
 Standard: LCP, Black Color.
 Contact Material: Phosphor Bronze.
 Contact Plating: Gold Plating Over Nickel On Contact Area;
 Tin Plating On Solder Tail.
 Shield: Copper Alloy or SPCC.
 Insertion Force: 4.5KGF Max.
 Extraction Force: 1.0KGF MIN; 4.0KGF MAX.

Environmental:
 Storage Temp Range: -20°C ~ +85°C
 Operating Temp Range: -20°C ~ +85°C
 Max. Processing Temp: +260°C for 10 Seconds



Ordering Code:
 661X-19MB XX X XX A 01

See Table	Contact Plating S0=GoldFlash/Tin S1=3u" Gold/Tin S2=5u" Gold/Tin S3=10U"Gold/Tin S4=15U"Gold/Tin S5=30U"Gold/Tin C0=Gold Flash	Shell Material B=Brass S=SPCC	Shell Plating NI=Nickel C0=Gold Flash C1=3u" Gold C2=5u" Gold C3=10U"Gold C4=15U"Gold C5=30U"Gold
-----------	---	-------------------------------------	--



6613-19MBXXXXXA01	1.60 (.063)
6612-19MBXXXXXA01	1.20 (.047)
6611-19MBXXXXXA01	1.00 (.039)
Part No.	A
	Dimension

THIS DRAWING IS A CONTROLLED DOCUMENT

TOLERANCES UNLESS OTHERWISE SPECIFIED	UNITS mm/inch	SCALE FIT	SIZE A4
DRAWN BY Xu	DATE 7/29/2022	TITLE	HDMI TYPE A STRADDLE MALE CONNECTOR
ENGINEER Zhang	DATE 7/29/2022	PART NO.	661X-19MBXXXXXA01
CHECKED BY Mike	DATE 7/29/2022	DRAWING NO.	661X-19MB
APPROVED BY Andy	DATE 7/29/2022	FILE PATH	A/D/YTCOTZ/HDMI/AM
PROJ. 594309442	SHEET 1 OF 1	REV A	

