

REV	REVISION	NAME	DATE

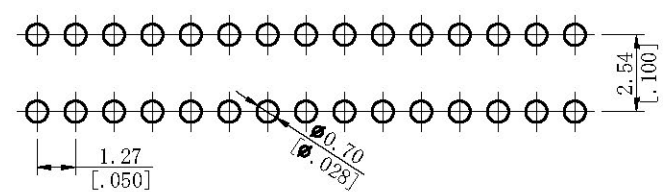
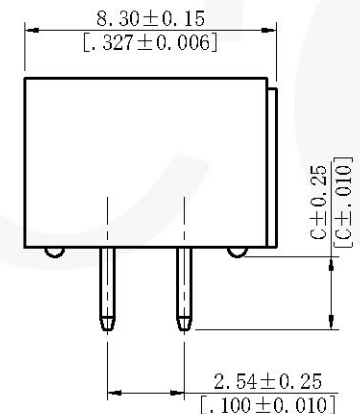
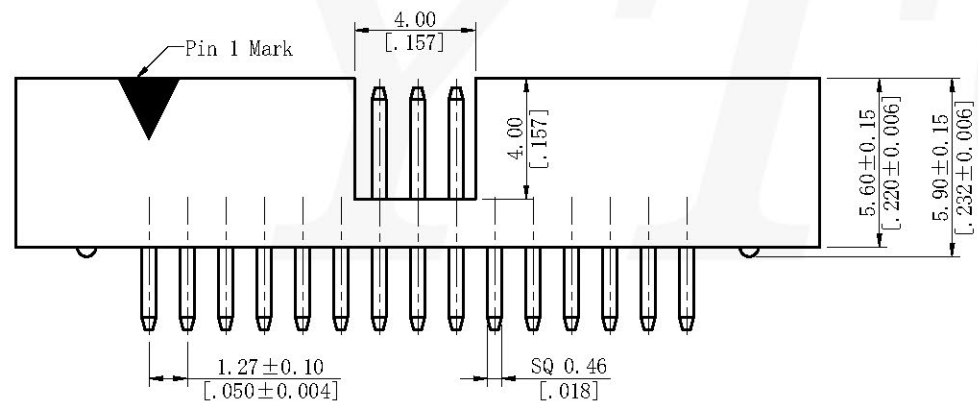
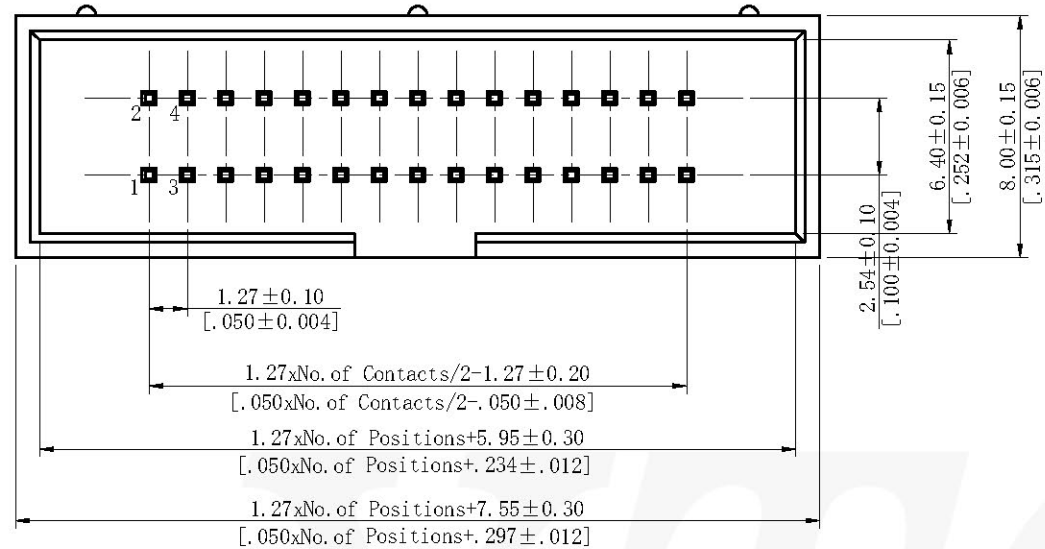
Electrical:
 Current Rating:1.0AMP
 Contact Resistance:20mΩ Max
 Insulation Resistance:1000MΩ Min
 Withstanding Voltage:500V AC/DC

Mechanical:
 Contact Material:Brass(SQ 0.46mm)
 Contact Plating:Au or Sn Over Ni
 Insulator Material:Polyester UL94V-0
 Standard:PA6T

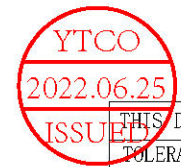
Environmental:
 Operating Temp Range:-40°C~+105°C
 Max.Processing Temp:+230°C for 30~60 Seconds
 +260°C for 10 Seconds

Ordering Code:
 3040-XX S XX X 000 X 01

No. of Pins	Contact Plating	Insulator Material	Packing
10=10P 34=34P	C0=Gold Flash	A=BK-PBT	A=Tray
14=14P 40=40P	C1=3u" Gold	B=BK-PA6T	T=Tube
16=16P 44=44P	C2=5u" Gold	C=BK-PA9T	
20=20P 50=50P	C3=10U"Gold	D=BK-LCP	
24=24P 60=60P	C4=15U"Gold	G=CY-PBT	
26=26P 64=64P	C5=30U"Gold	H=CY-PA6T	
30=30P 80=80P	S0=GoldFlash/Tin		
32=32P 100=100P	SN=Tin		
	SM=Matte tin		



Recommended P.C.B Layout (Top Side)
 (PCB BOARD TOLERANCE ± 0.05)



ITEM	DIM. C	Mating	Part No.
Standard	2.40 (.094)	5141	3040-XXSG0B000A01
Alternate			

THIS DRAWING IS A CONTROLLED DOCUMENT				YTCO TECHNOLOGY HTTP://WWW.YTCO.CO E-MAIL:SALES@YTCO.CO	
TOLERANCES UNLESS OTHERWISE SPECIFIED	UNITS mm/inch	SCALE FIT	SIZE A4	TITLE BOX HEADER, 1.27X2.54MM PITCH, S/T, H=5.60	
0 PLC ± —	DATE 6/25/2022	DRAWN BY Xu		PART NO. 3040-XXSXXX000X01	
1 PLC ± 0.30/.012	DATE 6/25/2022	ENGINEER Zhang		DRAWING NO. 3040-S	
2 PLC ± 0.25/.010	DATE 6/25/2022	CHECKED BY Mike		PROJECT CODE 594309442	
3 PLC ± 0.20/.008	DATE 6/25/2022	APPROVED BY Andy		FILE PATH A/D/YTCOTZ/Box Header/1.27x2.54mm	
4 PLC ± 0.10/.004	DATE 6/25/2022	PROJECT CODE 594309442		SHEET 1 OF 1	
ANGLES ± 3°	PROJECT CODE 594309442		FILE PATH A/D/YTCOTZ/Box Header/1.27x2.54mm		REV A