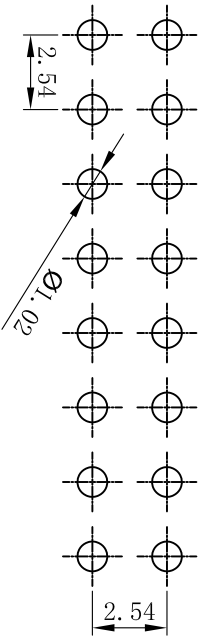
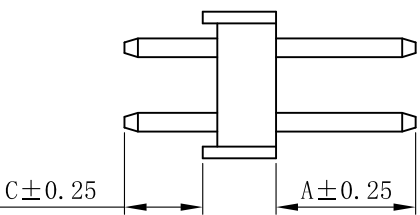
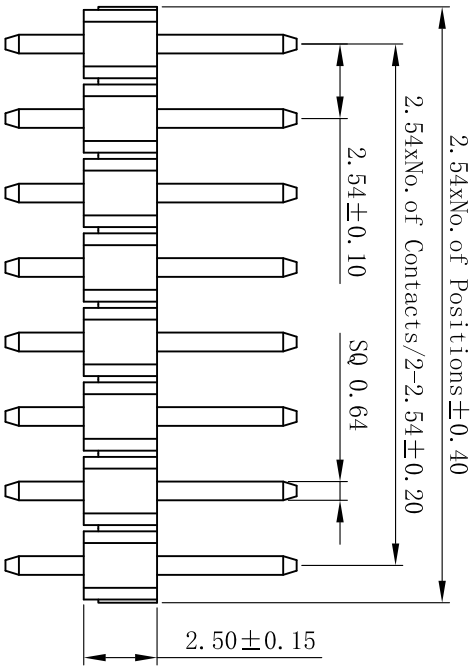
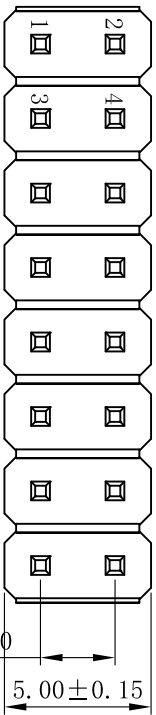


Rev No	Revision note	Date	Signature	Checked
A/0	NEW DRAWING	DEC. 07. 2020		



Recommended P, C, B Layout (Top Side)
(PCB BOARD TOLERANCE ±0.05)

Dimension Antitheses List			
ITEM	Pin Length	A	C
Standard	11.50	6.00	3.00
Alternate			

THIS DRAWING IS A CONTROLLED DOCUMENT

DIMENSIONS INCHES

TOLERANCES UNLESS OTHERWISE SPECIFIED

0 P/C	±	0.40
1 P/C	±	0.25
2 P/C	±	0.15
3 P/C	±	0.10
4 P/C	±	3°



AWD	DATE	DEC. 07. 2020
MIKE	DATE	DEC. 07. 2020
PETER	DATE	DEC. 07. 2020
SCALE	4 : 1	
SIZE	A4	
FILE PATH	A/D/YT007Z/Pin Header/2.54mm	

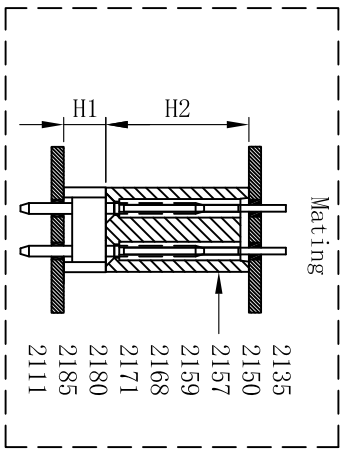
YTCO TECHNOLOGY
[HTTP://WWW.YTCO.CO](http://www.ytco.co)

PH2.54, DUAL ROW, S/T, H=2.5

PART NO. 1125-12XXSXXXXXXXXX01
 DRAWING NO. 1125-12S

SHEET 1 OF 1 REV. A

Ordering Code:
 1125-12 XX S XX X XXX 0 X 01



No. of Pins	60=Gold Flash	Insulator	Pin Length	Packing
PerRow:02-40	G1=30" Gold	A=BR-1BR	L=A+C+2.5	Q=PE Bag
	G2=50" Gold	B=BR-P/6T	A=TRay	
	G3=100" Gold	C=BR-PA9T		
	G4=150" Gold	D=BR-LCP		
	G5=300" Gold			
	S0=gold flash/Tin			
	S1=Flin			
	S1=skettle tin			

Electrical:
 Current Rating:3.0AMP.
 Contact Resistance:20mΩ Max.
 Insulation Resistance:1000MΩ Min.
 Withstanding Voltage:1000V AC/DC.

Mechanical:
 Contact Material:Brass (S_Q 0.64mm) .
 Contact Plating:Au or Sn Over Ni.
 Insulator Material:Polyester UL94V-0.
 Standard:PA6T.

Environmental:
 Operating Temp Range:-55°C~+125°C with Gold
 -40°C~+105°C with Tin
 Max. Processing Temp:+230°C for 30~60 Seconds
 +260°C for 10 Seconds