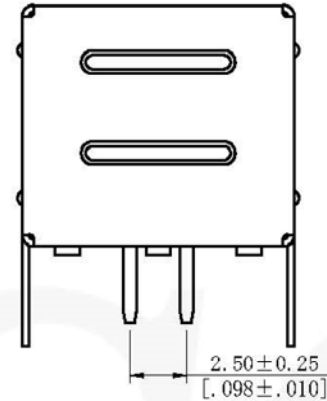
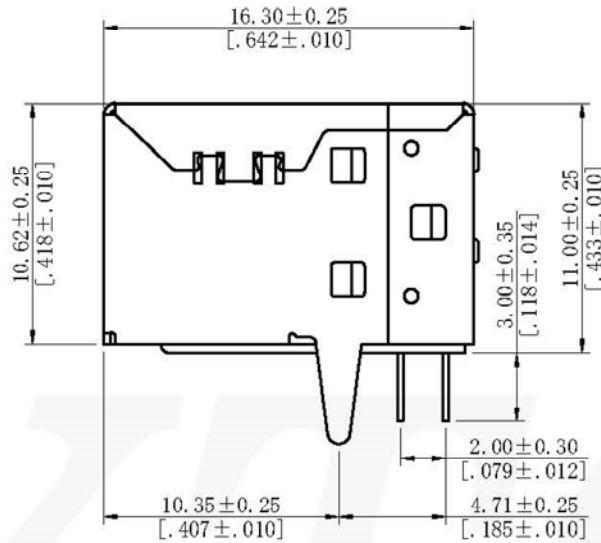
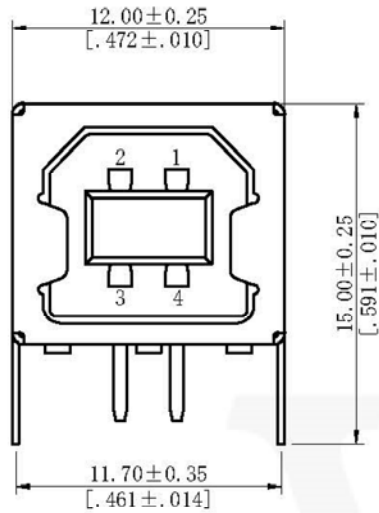


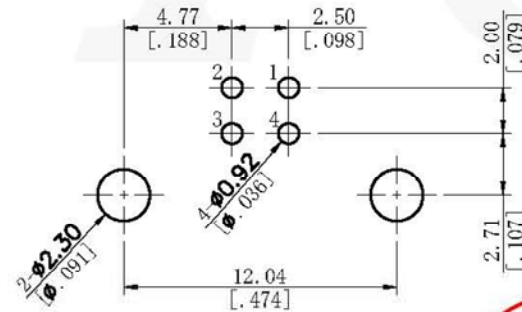
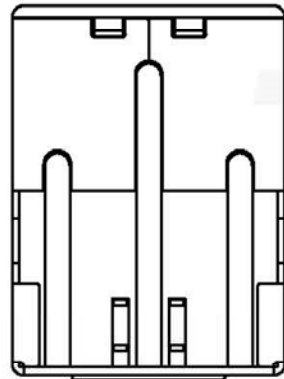
REV	REVISION	NAME	DATE



**Electrical:**  
 Voltage Rating:30V DC  
 Current Rating:1.5AMP  
 Contact Resistance:30mΩ Max  
 Insulation Resistance:1000MΩ Min  
 Dielectric Withstanding Voltage:500V AC

**Mechanical:**  
 Housing Material:PBT (UL94V-0)  
 Contact Material:Copper Alloy  
 Contact Plating:Gold Or Tin Plating Over Nickel.  
 Shell:SPCC Or Copper Alloy  
 Shell Plating:Gold Or Nickel

**Environmental:**  
 Operating Temp Range:-40℃~+60℃



Ordering Code:

6422-04FR XX X XX X A02

Contact Plating  
 S0=ColdFlash/Tin  
 S1=3u" Gold/Tin  
 S2=5u" Gold/Tin  
 S3=10U"Gold/Tin  
 S4=15U"Gold/Tin  
 S5=30U"Gold/Tin  
 C0=Gold Flash

Shell Material  
 A=Stainless steel  
 B=Brass  
 S=SPCC

Shell Plating  
 NI=Nickel  
 C0=Gold Flash  
 C1=3u" Gold  
 C2=5u" Gold  
 C3=10U"Gold  
 C4=15U"Gold  
 C5=30U"Gold

Color Insulator  
 B=Black  
 W=White  
 U=Blue  
 R=Red  
 Y=Yellow

Recommended P.C.B Layout (Top Side)  
 (PCB BOARD TOLERANCE ±0.05)



THIS DRAWING IS A CONTROLLED DOCUMENT

TOLERANCES UNLESS OTHERWISE SPECIFIED	UNITS mm/inch	SCALE FIT	SIZE A4
0 PLC ± —			
1 PLC ± 0.30/.012			
2 PLC ± 0.25/.010			
3 PLC ± 0.20/.008			
4 PLC ± 0.10/.004			
ANGLES ± 3°			



**YTCO TECHNOLOGY**

HTTP://WWW.YTCO.CO E-MAIL:SALES@YTCO.CO

TITLE	USB TYPE B RIGHT ANGLE BOARD MOUNT FEMALE
PART NO.	6422-04FRXXXXXXXXA02
DRAWING NO.	6422-04FR
FILE PATH	A/D/YTCOTZ/USB/USB-B
SHEET	1 OF 1
REV	A