

RoHS COMPLIANT

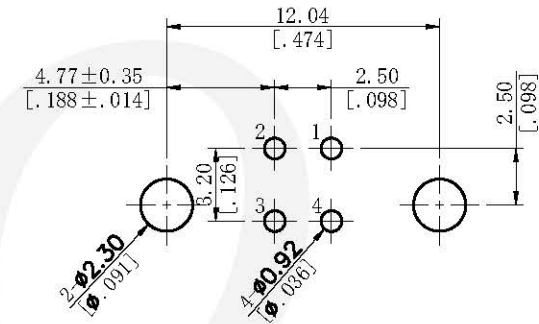
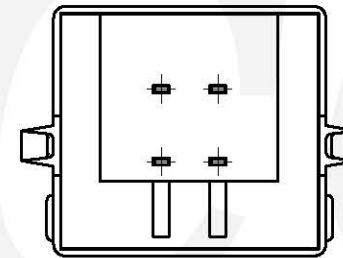
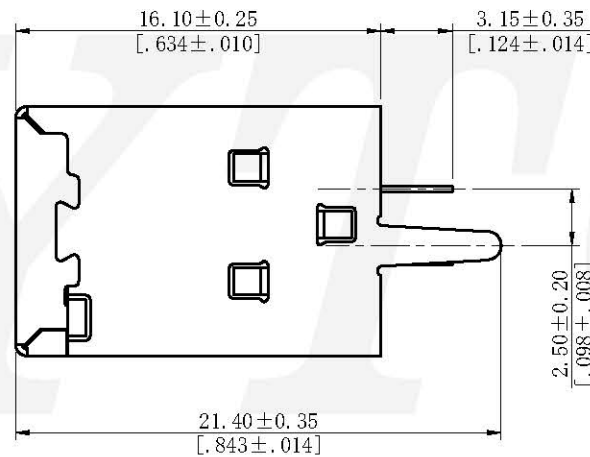
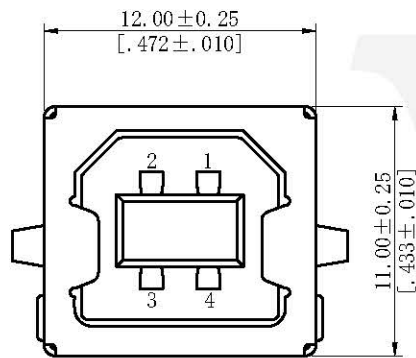
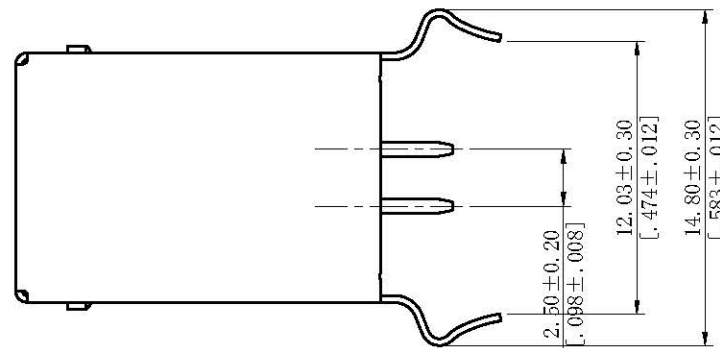
* DUE TO TECHNICAL PROGRESS, ALL THE INFORMATION PROVIDED IS SUBJECT TO CHANGE WITHOUT PRIOR NOTICE.

REV	REVISION	NAME	DATE

Electrical:
 Voltage Rating:30V DC
 Current Rating:1.5AMP
 Contact Resistance:30mΩ Max
 Insulation Resistance:1000MΩ Min
 Dielectric Withstanding Voltage:500V AC

Mechanical:
 Housing Material:PBT (UL94V-0)
 Contact Material:Copper Alloy
 Contact Plating:Gold Or Tin Plating Over Nickel.
 Shell:SPCC Or Copper Alloy
 Shell Plating:Gold Or Nickel

Environmental:
 Operating Temp Range:-40℃~+60℃

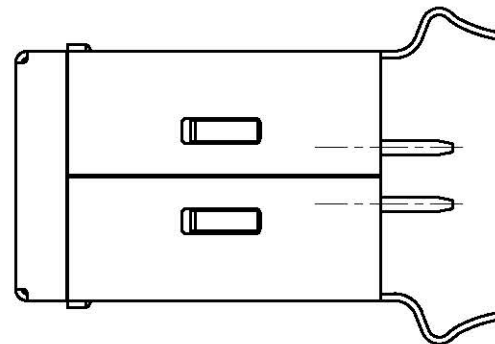


Recommended P. C. B Layout (Top Side)
 (PCB BOARD TOLERANCE ±0.05)

Ordering Code:

6422-04FS XX X XX X A01

Contact Plating S0=GoldFlash/Tin S1=3u" Gold/Tin S2=5u" Gold/Tin S3=10U"Gold/Tin S4=15U"Gold/Tin S5=30U"Gold/Tin C0=Gold Flash	Shell Material A=Stainless steel B=Brass S=SPCC	Shell Plating NI=Nickel C0=Gold Flash C1=3u" Gold C2=5u" Gold C3=10U"Gold C4=15U"Gold C5=30U"Gold	Color Insulator B=Black W=White U=Blue R=Red Y=Yellow
---	--	--	--



THIS DRAWING IS A CONTROLLED DOCUMENT

TOLERANCES UNLESS OTHERWISE SPECIFIED	UNITS mm/inch	SCALE FIT	SIZE A4
0 PLC ± —			
1 PLC ± 0.30/.012			
2 PLC ± 0.25/.010			
3 PLC ± 0.20/.008			
4 PLC ± 0.10/.004			
ANGLES ± 3°			

YTCO TECHNOLOGY
 HTTP://WWW.YTCO.CO E-MAIL:SALES@YTCO.CO

TITLE	USB TYPE B STRAIGHT DIP BOARD MOUNT FEMALE
PART NO.	6422-04FSXXXXXXA01
DRAWING NO.	6422-04FS
FILE PATH	A/D/YTCOTZ/USB/USB-B
SHEET	1 OF 1
REV	A

PROJ. FILE PATH: A/D/YTCOTZ/USB/USB-B
 Dwg No: 594309442