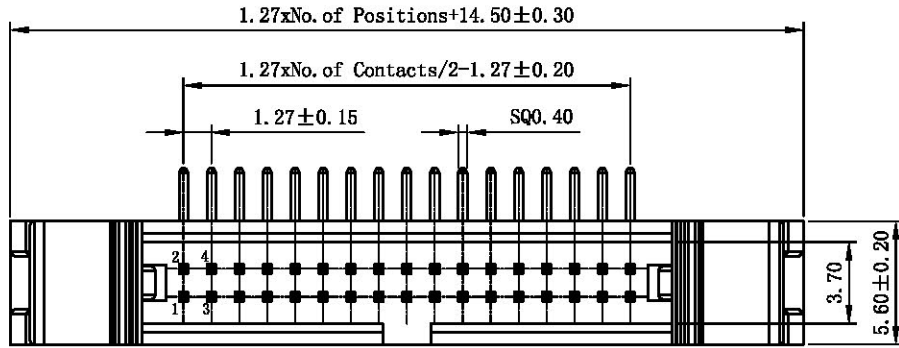


RoHS Compliant

*Due To Technical Progress, All The Information Provided Is Subject To Change Without Prior Notice.

Rev No	Revision note	Date	Signature	Checked
A/0	NEW DRAWING	DEC. 07. 2020		



Electrical:

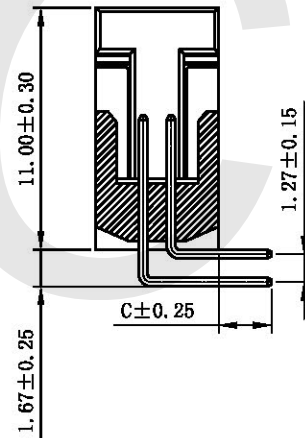
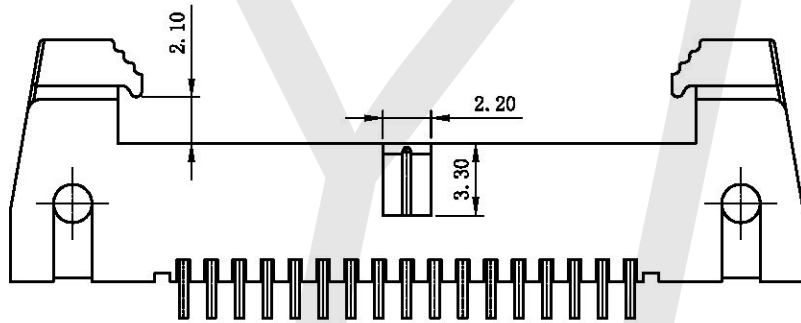
Current Rating:1.0AMP.
 Contact Resistance:20mΩ Max.
 Insulation Resistance:1000MΩ Min.
 Withstanding Voltage:500V AC/DC.

Mechanical:

Contact Material:Brass(SQ 0.40mm) .
 Contact Plating:Au or Sn Over Ni.
 Insulator Material:Polyester UL94V-0.
 Standard:PA6T.

Environmental:

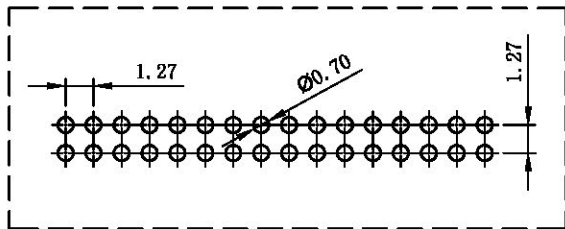
Operating Temp Range:-40℃~+105℃.
 Max.Processing Temp:+230℃ for 30~60 Seconds.
 +260℃ for 10 Seconds



Ordering Code:

3230-XX R XX X S T 01

No. of Pins	Contact Plating	Insulator Material
06=6P	G0=Gold Flash	A=BK-PBT
08=8P	G1=3u" Gold	B=BK-PA6T
10=10P	G2=5u" Gold	C=BK-PA9T
12=12P	G3=10U"Gold	D=BK-LCP
14=14P	G4=15U"Gold	G=GY-PBT
16=16P	G5=30U"Gold	H=GY-PA6T
18=18P	S0=GoldFlash/Tin	
20=20P	SN=Tin	
24=24P	SM=Matte tin	



Recommended P.C.B Layout (Top Side)
 (PCB BOARD TOLERANCE±0.05)

ITEM	C(dimension)	Part No. (Standard)	Mating
Standard	2.40	3230-XXRGOBST01	5131
Alternate			

THIS DRAWING IS A CONTROLLED DOCUMENT		DWN KAIKUAN, XU	DATE DEC. 07. 2020	<p>YTCO TECHNOLOGY HTTP://WWW.YTCO.CO</p>
DIMENSIONS INCHES		CHK MIKE	DATE DEC. 07. 2020	
TOLERANCES UNLESS OTHERWISE SPECIFIED		APVD PETER	DATE DEC. 07. 2020	TITLE Ejector Header, 1.27MM PITCH, 90° DIP
0 PLC ± —		UNITS MM	SCALE 3 : 1	SIZE A4
1 PLC ± 0.40		FILE PATH A/D/YTCOTZ/Ejector Header/1.27mm		DRAWING NO. 3230-R
2 PLC ± 0.25		CAGE CODE 594309442		PART NO. 3230-XXRXXXST01
3 PLC ± 0.15		REV 1 OF 1		REV A
4 PLC ± 0.10				
ANGLES ± 3°				