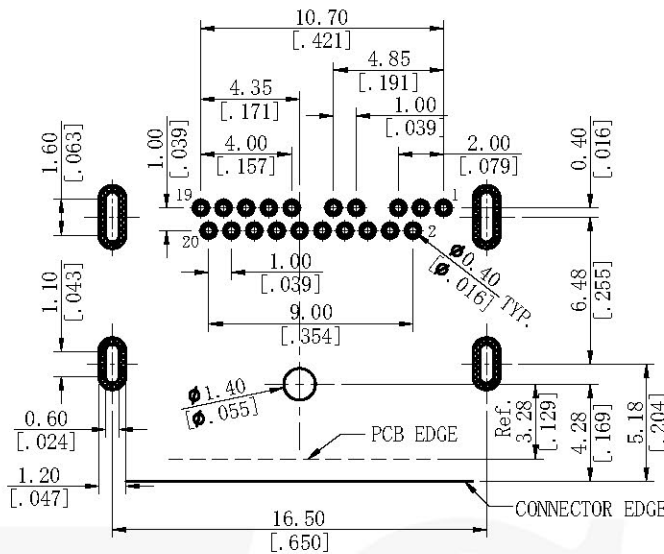
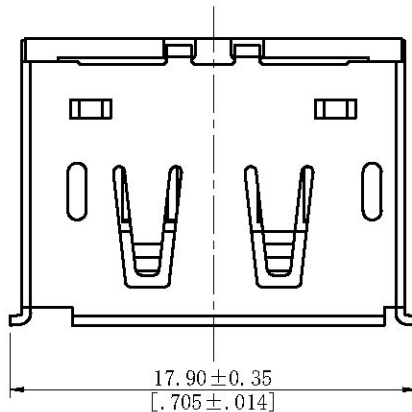
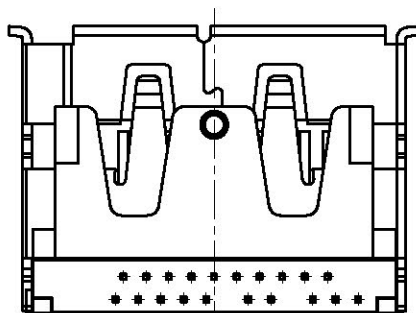
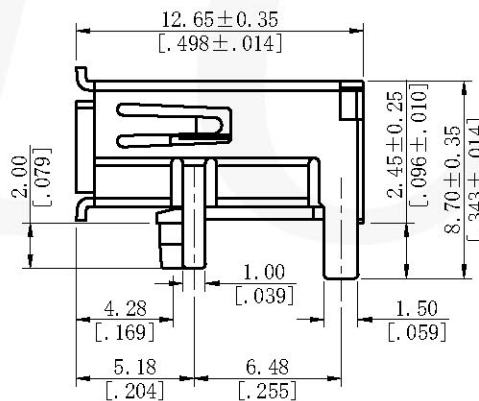
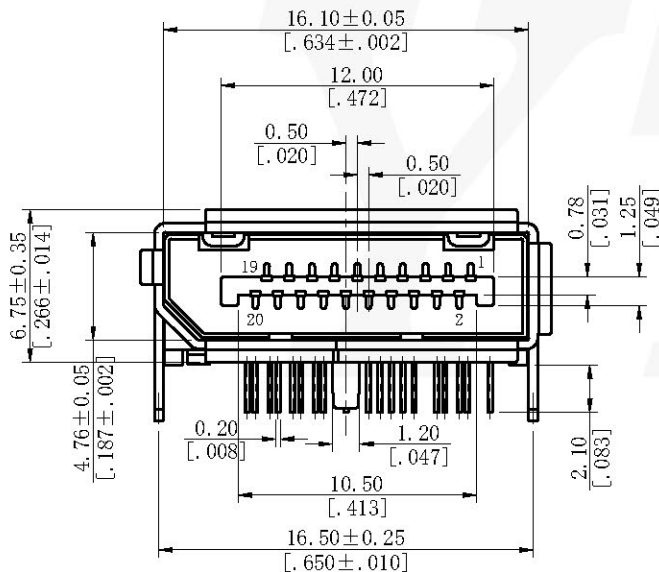


REV	REVISION	NAME	DATE



Recommended P.C.B Layout (Top Side)
(PCB BOARD TOLERANCE ± 0.05)



Electrical:
 Voltage Rating: 40V AC Max
 Current Rating: 0.50AMP
 Contact Resistance: 30mΩ Max
 Insulation Resistance:
 100MΩ Min (Unmated)
 10MΩ Min (Mated)
 Dielectric Withstanding Voltage:
 500V AC for 1 Minute (Unmated)
 300V AC for 1 minute (Mated)
Mechanical:
 Housing Material: LCP (UL94V-0), Color: Black
 Contact Material: Copper Alloy
 Contact Plating:
 Au Plated on Contact Area, Tin Plated on Solder Area, Nickel Underplating Over All
 Shell: SPCC Or Copper Alloy
 Shell Plating: Gold Or Nickel
 Insertion Force: 44. IN Max
 Withdrawal Force: 7~25N
 Durability: 10000 Cycles
Environmental:
 Operating Temp Range: -20°C ~ +85°C

Ordering Code:
 6690-20FR XX X XX X01

Contact Plating S0=GoldFlash/Tin S1=3u" Gold/Tin S2=5u" Gold/Tin S3=10u" Gold/Tin S4=15u" Gold/Tin S5=30u" Gold/Tin C0=Gold Flash	Shell Material B=Brass S=SPCC	Shell Plating NI=Nickel C0=Gold Flash G1=3u" Gold C2=5u" Gold C3=10u" Gold C4=15u" Gold C5=30u" Gold	Packing A=Tray T=Tube R=Reel M=Reel+Mylar
--------------------------------------------------------------------------------------------------------------------------------------------------------	-------------------------------------	---------------------------------------------------------------------------------------------------------------------------	-------------------------------------------------------

ITEM	Part No.
Standard	6690-20FRS0BNAI01
Alternate	



THIS DRAWING IS A CONTROLLED DOCUMENT

TOLERANCES UNLESS OTHERWISE SPECIFIED	UNITS mm/inch	SCALE FIT	SIZE A4
0 PLC ± —			
1 PLC ± 0.30/.012			
2 PLC ± 0.25/.010			
3 PLC ± 0.20/.008			
4 PLC ± 0.10/.004			
ANGLES ± 3°			

YTCO TECHNOLOGY
 HTTP://WWW.YTCO.CO E-MAIL: SALES@YTCO.CO

TITLE	DISPLAY PORT RIGHT ANGLE BOARD MOUNT FEMALE CONNECTOR
PART NO.	6690-20FRXXXXXX01
DRAWING NO.	6690-20FR
FILE PATH	A/D/YTCOTZ/DISPLAY PORT/F
SHEET	1 OF 1
REV	A