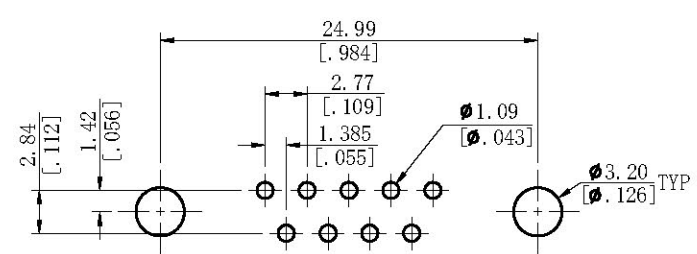
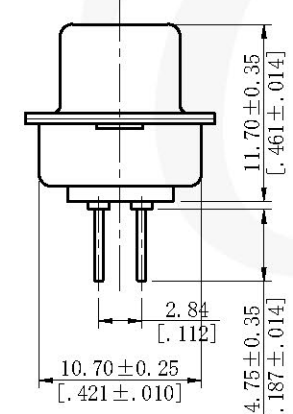
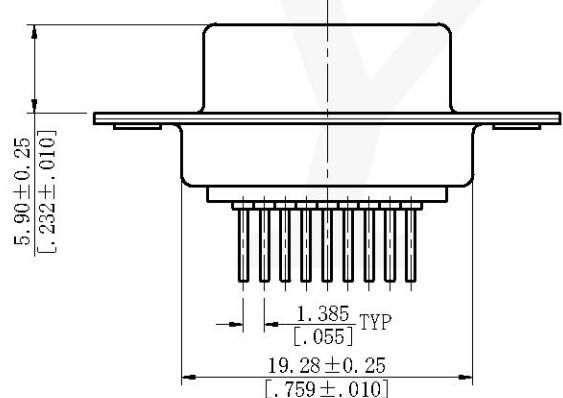
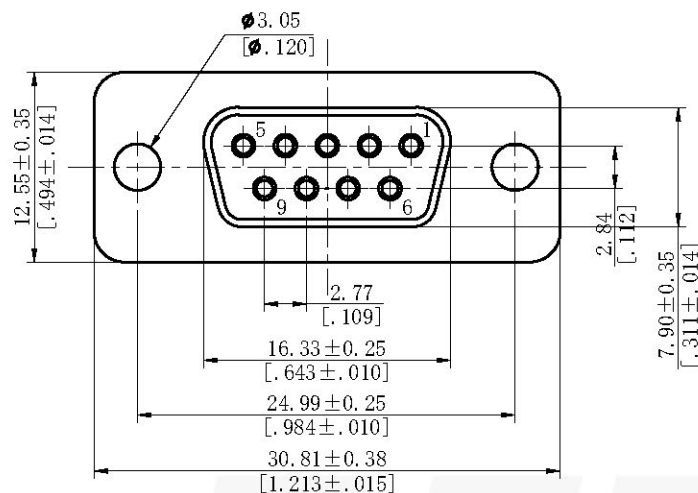


REV	REVISION	NAME	DATE



Recommended P. C. B Layout (Top Side)
(PCB BOARD TOLERANCE ±0.05)

Electrical:
 Current Rating:3.00AMP
 Contact Resistance:20mΩ Max
 Insulation Resistance:1000MΩ Min
 Dielectric Withstanding Voltage:500V AC for 1 Minute
 Mechanical:
 Insulator:PBT+30% Glass Filled Polyester UL94V-0
 Contact:Copper Alloy
 Contact Plating:Au or Sn over Ni
 Shell:Steel, Nickel Plated
 Fork:Copper Alloy, Tin over Ni Plated
 Screw:Steel Or Copper Alloy, Nickel Plated
 Nut:Steel Or Copper Alloy, Nickel Plated
 Environmental:
 Operating Temp Range:-55℃~+105℃

Ordering Code
 6021-09F X X A 01

Mounting Style 0=Without Fork Without Nut 5=With Front Nut 6=With Back Nut 7=With Back Fork 8=With Back Fork With Screw	Contact C0=Copper S0=Steel S1=3 S2=2 S3=1 c=Gold/Tin	Plating Tin Silver Nickel Au/Tin	Color Insulator B=Black W=White U=Blue
--	--	--	--

NAME	DIM "L"				
NUT	3.00 (.118)	4.00 (.157)	4.80 (.189)	6.00 (.236)	6.50 (.256)

Code	0	5	6	7	8
Mounting Style					



THIS DRAWING IS A CONTROLLED DOCUMENT

TOLERANCES UNLESS OTHERWISE SPECIFIED	UNITS mm/inch	SCALE FIT	SIZE A4
DRAWN BY <i>Xu</i>	DATE 7/29/2022	TITLE D-SUB FEMALE STRAIGHT DIP BOARD MOUNT	
ENGINEER <i>Zhang</i>	DATE 7/29/2022	PART NO. 6021-09FXXXXA01	
CHECKED BY <i>Mike</i>	DATE 7/29/2022	DRAWING NO. 6021	
APPROVED BY <i>Andy</i>	DATE 7/29/2022	FILE PATH A/D/YTCOTZ/D-SUB/DP	
PROJ. 594309442	SHEET 1 OF 1	REV A	

