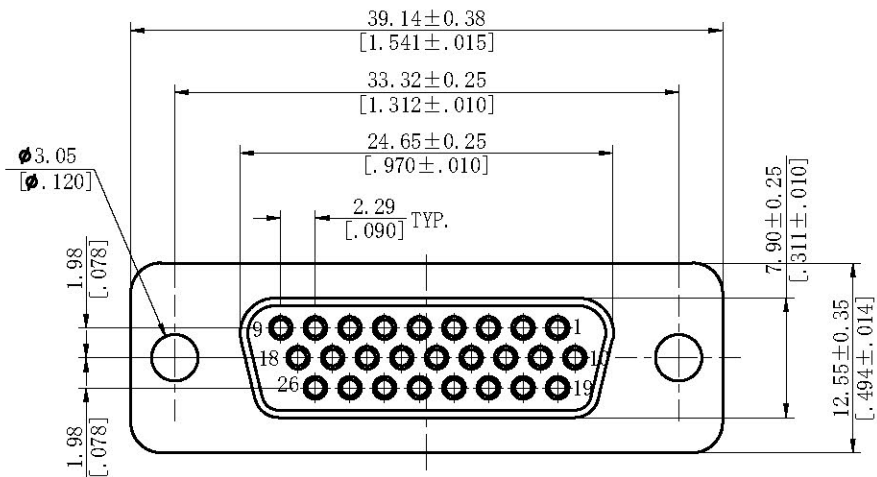
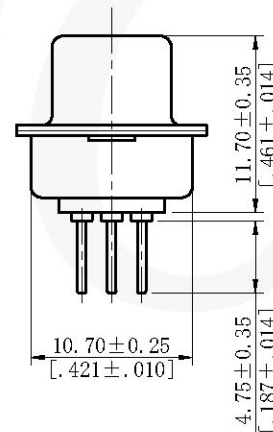
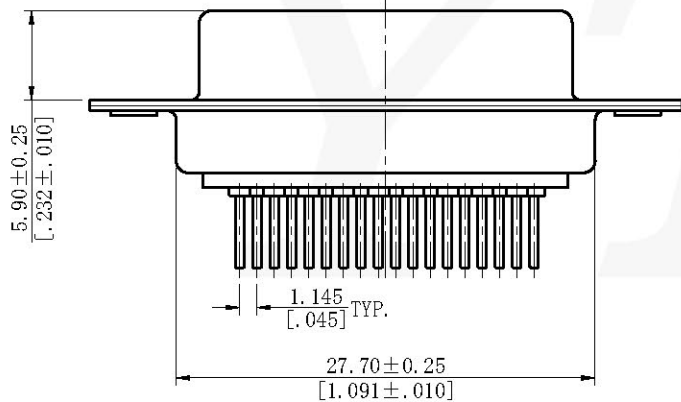


REV	REVISION	NAME	DATE



Electrical:
 Current Rating:3.00AMP
 Contact Resistance:20mΩ Max
 Insulation Resistance:1000MΩ Min
 Dielectric Withstanding Voltage:500V AC for 1 Minute
Mechanical:
 Insulator:PBT+30% Glass Filled Polyester UL94V-0
 Contact:Copper Alloy
 Contact Plating:Au or Sn over Ni
 Shell:Steel, Nickel Plated
 Fork:Copper Alloy, Tin over Ni Plated
 Screw:Steel Or Copper Alloy, Nickel Plated
 Nut:Steel Or Copper Alloy, Nickel Plated
Environmental:
 Operating Temp Range:-55°C~+105°C

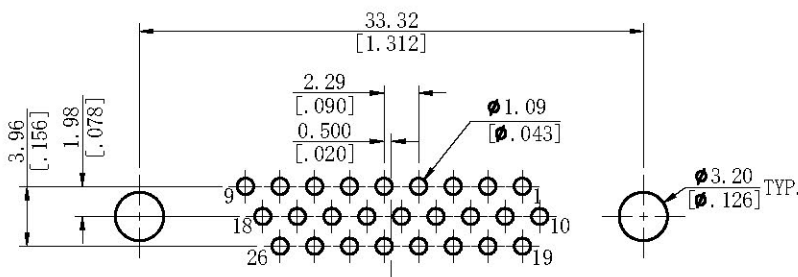


Ordering Code:
 6031-26F X XX X A 01

Mounting Style	Contact Plating	Color Insulator
0=Without Fork Without Nut	C0=Gold Flash S0=GoldFlash/Tin	B=Black W=White U=Blue
5=With Front Nut	S1=3u" Gold/Tin	
6=With Back Nut	S2=5u" Gold/Tin	
7=With Back Fork	S3=10u" Gold/Tin	
8=With Back Fork With Screw	S4=15u" Gold/Tin S5=30u" Gold/Tin	

NAME	DIM "L"				
NUT	3.00 (.118)	4.00 (.157)	4.80 (.189)	6.00 (.236)	6.50 (.256)

Code	0	5	6	7	8
Mounting Style					



Recommended P. C. B Layout (Top Side)
 (PCB BOARD TOLERANCE ±0.05)



THIS DRAWING IS A CONTROLLED DOCUMENT

TOLERANCES UNLESS OTHERWISE SPECIFIED	UNITS mm/inch	SCALE FIT	SIZE A4
DRAWN BY Xu	DATE 7/29/2022	TITLE HIGH DENSITY D-SUB FEMALE STRAIGHT DIP BOARD MOUNT	PART NO. 6031-26FXXXXA01
ENGINEER Zhang	DATE 7/29/2022	DRAWING NO. 6031	FILE PATH A/D/YTCOTZ/D-SUB/HDP
CHECKED BY Mike	DATE 7/29/2022	SHEET 1 OF 1	REV A
APPROVED BY Andy	DATE 7/29/2022	FACE CODE 594309442	

YTCO TECHNOLOGY
 HTTP://WWW.YTCO.CO E-MAIL:SALES@YTCO.CO

PROJECT	FACE CODE	FILE PATH	SHEET	REV
594309442		A/D/YTCOTZ/D-SUB/HDP	1 OF 1	A