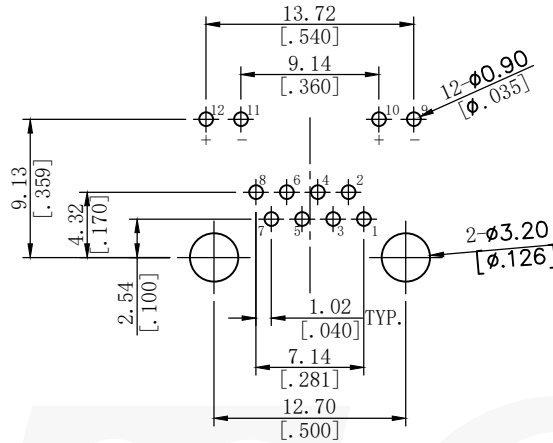
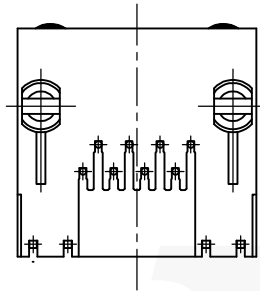
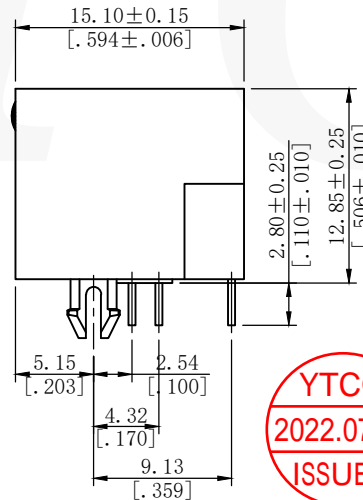
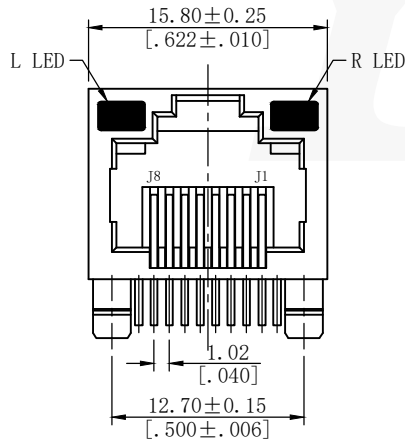


REV	REVISION	NAME	DATE



Recommended P.C.B Layout (Top Side)
(PCB BOARD TOLERANCE ±0.05)



Electrical:

1. Voltage Rating: 125 VAC RMS.
2. Current Rating: 1.5 Amp.
3. Contact Resistance: 30 Milliohms Max.
4. Insulation Resistance: 1000 Megohms MIN@500 VDC.
5. Dielectric Strength: 1000VAC RMS 50Hz. 1Min.
6. LED Ratings: Forward Voltage: 2.2 Volts Typical. Reverse Voltage: 5.0 Volts Max.

Mechanical:

1. Housing Material: Glass Filled Polyester UL94V-0.
2. Contact Material: Phosphor Bronze Ø0.46mm.
3. Plating: Gold Plating Over Nickel.
4. Operating Life: 750 Cycles Min.
5. Led: Option.
6. Pcb Retention Pre-solder: 1 Lb Min.

Environmental:

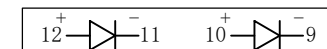
1. Storage: -40°C To +85°C
2. Operation: -40°C To +85°C

Ordering Code:

6563-881 XX X X 0 X A 01

Contact Plating G0=Gold Flash G1=3u" Gold G2=5u" Gold G3=10u"Gold G4=15u"Gold G5=30u"Gold	Insulator Material A=PBT E=PA46 F=PA66	Color Insulator B=Black W=White U=Blue R=Red Y=Yellow G=Grey	Led Style&Color L (LED)/R (LED) 1=Yellow/Green 2=Green/Yellow 3=Green/Green 4=Yellow/Yellow 5=Red/Green 6=Green/Red
---	---	--	--

ITEM	Part No.
Standard	6563-881G0AB01A01



Alternate	
-----------	--

THIS DRAWING IS A CONTROLLED DOCUMENT				 YTCO TECHNOLOGY HTTP://WWW.YTCO.CO E-MAIL:SALES@YTCO.CO	
TOLERANCES UNLESS OTHERWISE SPECIFIED	UNITS mm/inch	SCALE FIT	SIZE A4	TITLE MODULAR JACK 8 POSITION SIDE ENTRY AND LED	
0 PLC ± —	DRAWN BY <i>Xu</i>	DATE 7/29/2022		PART NO. 6563-881XXXXXA01	
1 PLC ± 0.30/.012	ENGINEER <i>Zhang</i>	DATE 7/29/2022		DRAWING NO. 6563	
2 PLC ± 0.25/.010	CHECKED BY <i>Mike</i>	DATE 7/29/2022		PROJ. 594309442	
3 PLC ± 0.20/.008	APPROVED BY <i>Andy</i>	DATE 7/29/2022		FILE PATH A/D/YTCOTZ/RJ/6563	
4 PLC ± 0.10/.004				SHEET 1 OF 1	
ANGLES ± 3°				REV A	